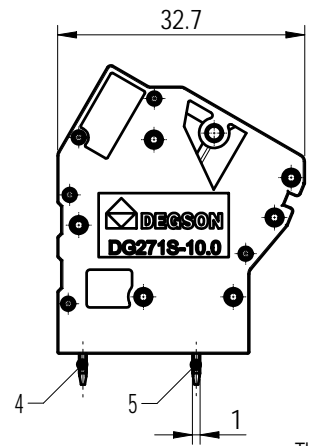
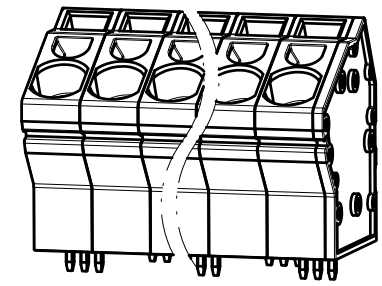
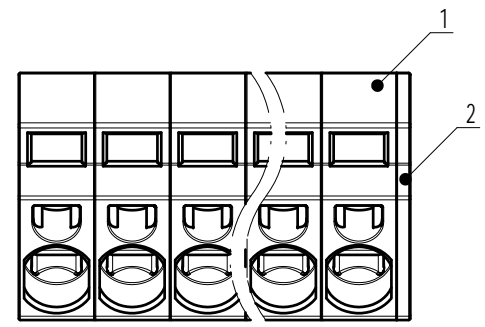
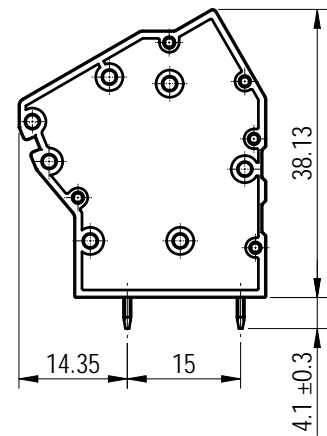
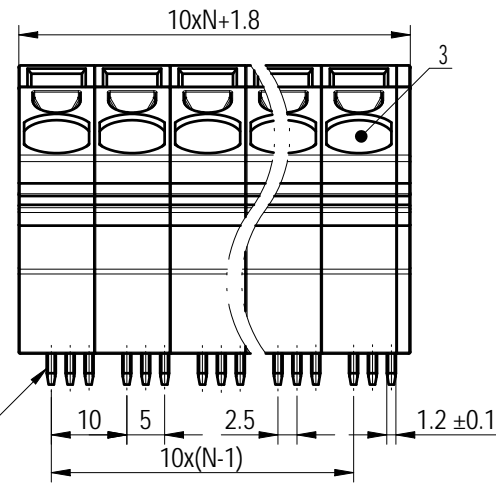


未注公差/General tolerances (mm)													0.1/10
0 ~ 3	>3 ~ 6	>6 ~ 10	>10 ~ 18	>18 ~ 30	>30 ~ 50	>50 ~ 80	>80 ~ 120	>120 ~ 180	>180 ~ 250	>250 ~ 315	>315 ~ 400	>400 ~ 500	>500
±0.12	±0.18	±0.22	±0.26	±0.31	±0.37	±0.57	±0.80	±0.93	±1.05	±1.15	±1.60	±2.20	±2.50
													±2'



The first pin at left side is front pin



ITEM	NAME OF PART	MATERIAL	NOTES
5	Pin header 2	Copper	Sn Plated
4	Pin header 1	Copper	Sn Plated
3	Spring	Stainless steel	/
2	Cover	PA66	UL94V-0
1	Housing	PA66	UL94V-0

UL 标准/UL Standard:	B	C	D
额定电压/电流/Rated Voltage(V)/Current(A)	600/51	600/51	600/5
IEC 标准/IEC Standard:			
过压类别/Overvoltage Category/污染等级/Pollution Degree	III/3	III/2	II/2
额定电压/电流/Rated Voltage(V)/Current(A)	1000/76	1000/76	1000/76
额定脉冲电压(KV)/Rate Impulse Voltage(KV)	8	8	8
线径范围(硬线和软线)/Wire Range(rigid and flexible)(AWG/mm <sup>2</sup> )	18~4 / 0.75~16		
间距/Pitch(mm)/线数范围/Poles	10.0/N=02~12P		
剥线长度/Stripping length(mm)	18		
使用温度范围/Operating temperature(°C)	-40~+105		
符合RoHS环保要求/Conform to RoHS	Yes		

		MATERIAL:	SURFACE/COLOR:		
		MAT NO./REV:	MAT STATUS: 小批量		
APPD: 龚耀志	2026.01.21	NAME			
CHKD: 唐本恒	2026.01.21	DG271S-10.0-DA-XXP-1Y-00Z (H)			
DRFT: 唐本恒	2026.01.21	DRAWING NO.	TYPE	DRAWING STATUS	SCALE
		200396761	CUSTOMER DRAWING	已发布	1:1
				SHEET	1/1

REV	ECN	DESCRIPTION	DRFT	DATE
01			唐本恒	2026.01.21

Transfer or duplication of this document as well as the utilization or communication of its contents are prohibited unless explicit authorization is granted. Violations will be liable for compensation. All rights reserved for patent, utility model or design registrations. 除专利与外观设计、商标、实用新型、发明专利等权利外，其他权利均保留。未经许可，不得复制或传播本文件内容。