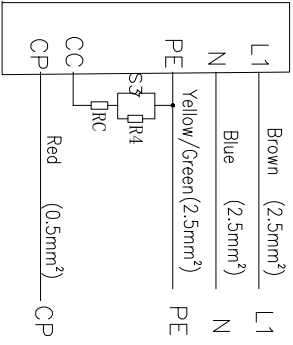
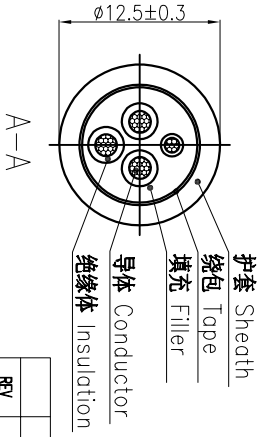


Wiring diagram



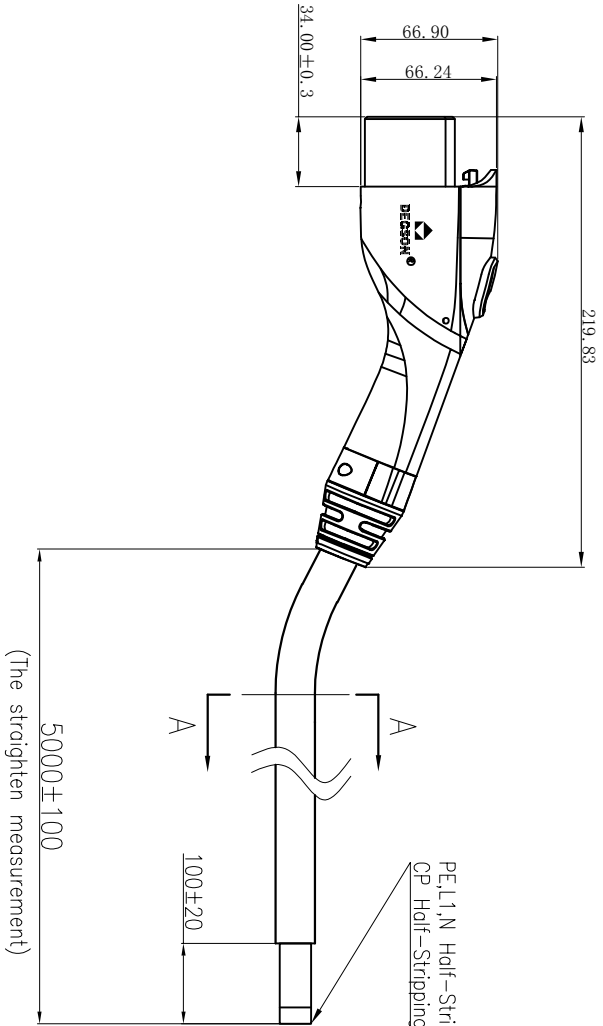
RC=680Ω±3%  
R4=2.7KΩ±3%



X1 Laser printing front note:

**DEGSON**®

Laser printing back note(Arial):  
**MGAC-S-016A-V22**  
**-03-5.0M-00A(H)**  
**16A 250V AC**  
**GB/T20234.2-2023**  
**IP67(housing)**  
**20XXXXXXX-XXXX**



额定电压/Rated voltage/Current	250V AC/16A
绝缘电阻/Insulate resistance	>100MΩ/500V DC 1min
耐压/Withstanding voltage	L, N and PE .2500V AC 1min
防护等级/Ingress protection	IP67(housing)
插接寿命/Insertion/Pullout times	10,000 Times
插拔力/Insertion/Pullout force	<100N
使用温度范围/Operating temperature(°C)	-30°C~+50°C
线材规格/Cable specification	3*2.5mm²+1*0.5mm² BLACK
标准/Reference standard	GB/T20234.2-2023
符合ROHS环保要求/Conform to ROHS	Yes

<b>DEGSON</b>		MATERIAL:	SURFACECOLOR:
APPD	CHKD	MAT NO/REV: D0-1	
DFT: ZhouC	A4		
2025.08.07			
NAME	DRAWING NO.	TYPE	DRAWING STATUS
MGAC-S-016A-V22-03-5.0M-00A(H)		CUSTOMER DRAWING	
			SCALE
			1:3
			SHEET
			1/1