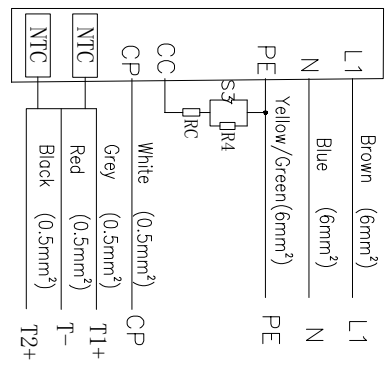
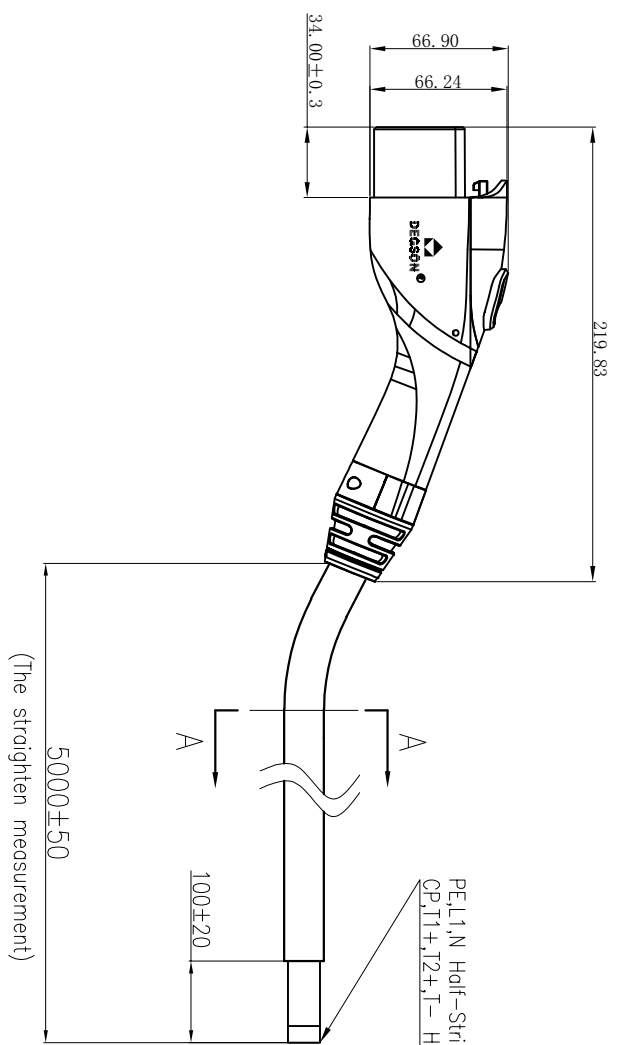
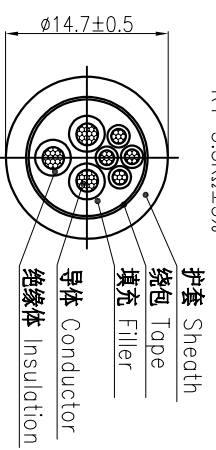


Wiring diagram



RC=2200±3%  
R4=3.3K0±3%



(The straighten measurement)

X1 Laser printing front note:

**DEGSON**®

Laser printing back note(Arial):  
**MGAC-S-032A-V22**  
**-03-5.0M-00A(H)**  
**32A 250V AC**  
**GB/T20234.2-2023**  
**IP67(housing)**  
**20XXXXXX-XXXX**

额定电压/Rated voltage/Current	250V AC/32A
绝缘电阻/Insulate resistance	>100MΩ,500V DC, 1min
耐压/Withstanding voltage	L, N and PE .2500V AC 1min
防护等级/Ingress protection	IP67(housing)
插拔寿命/Insertion/Pullout times	10,000 Times
插拔力/Insertion/Pullout force	<100N
使用温度范围/Operating temperature(°C)	-30°C~+50°C
线材规格/Cable specification	3*6mm <sup>2</sup> +4*0.5mm <sup>2</sup> BLACK
标准/Reference standard	GB/T20234.2-2023
符合ROHS环保要求/Conform to ROHS	Yes

<b>DEGSON</b>	
APPD:	
CHKD:	
DFT: ZhouC	2025.08.07
A4	
mm	
NAME	MATERIAL
MGAC-S-032A-V22-03-5.0M-00A(H)	MGAC-S-032A-V22-03-5.0M-00A(H)
DRAWING NO.	SURFACE/COLOR
TYPE	MAT STATUS:
CUSTOMER DRAWING	
DRAWING STATUS	
SCALE	SHEET
1:3	1/1

REV	ECN	DESCRIPTION	DFT	DATE