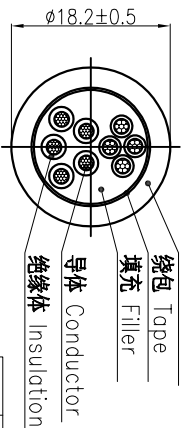


Wiring diagram

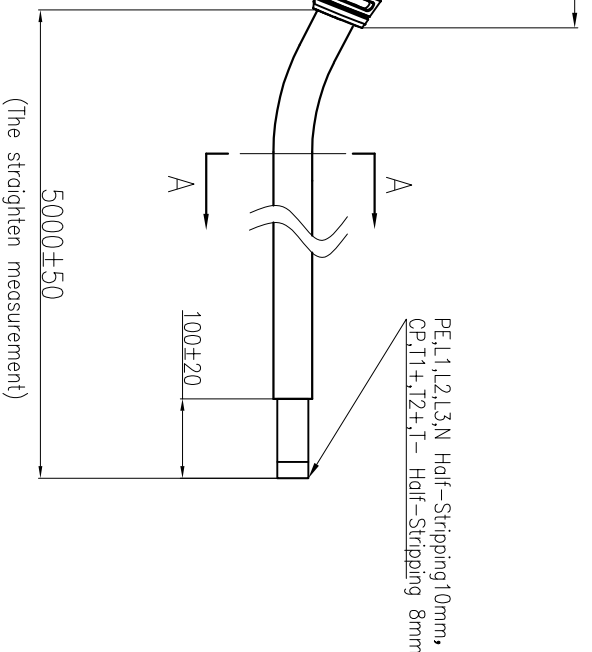
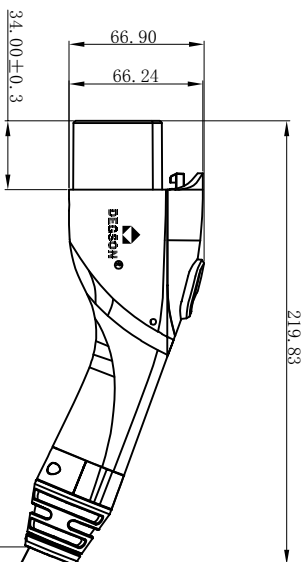
L1	Brown (6mm ²)	L1
L2	Gray (6mm ²)	L2
L3	Black (6mm ²)	L3
N	Blue (6mm ²)	N
PE	Yellow/Green(6mm ²)	PE
CC	Red (0.5mm ²)	CP
CP	Grey (0.5mm ²)	T1+
NTIC	White (0.5mm ²)	T-
NTIC	Black (0.5mm ²)	T2+

RC=2200±3%
R4=3.3K0±3%



X1 Laser printing front note:

DEGSON
Laser printing back note (Arial):
MGAC-T-032A-V22
-03-5.0M-00A(H)
32A 440V AC
GB/T20234.2-2023
IP67(housing)
20XXXXXX-XXXX



额定电压/电源/Rated voltage/Current	440V AC/32A
绝缘电阻/Insulate resistance	>100MΩ,500V DC 1min
耐压/Withstanding voltage	L, N and PE .2500V AC 1min L and N .2500V AC 1min
防护等级/Ingress protection	IP67
插拔寿命/Insertion/Pullout times	10,000 Times
插拔力/Insertion/Pullout force	<100N
使用温度范围/Operating temperature(°C)	-30°C~+50°C
线材规格/Cable specification	5*6mm ² +4*0.5mm ² BLACK
标准/Reference standard	GB/T20234.2-2023
符合ROHS环保要求/Conform to ROHS	Yes



APPD:	CHKD:	DRTI:	ZhouC	DATE:	2024.12.13
MATERIAL:		MATERIAL:		SURFACE/COLOR:	
MGAC-T-032A-V22-03-5.0M-00A(H)		MGAC-T-032A-V22-03-5.0M-00A(H)		MAT STATUS:	

REV	EON	DESCRIPTION	DRT	DATE	DRAWING NO.	TYPE	DRAWING STATUS	SCALE	SHEET
2						CUSTOMER DRAWING		1:3	1/1