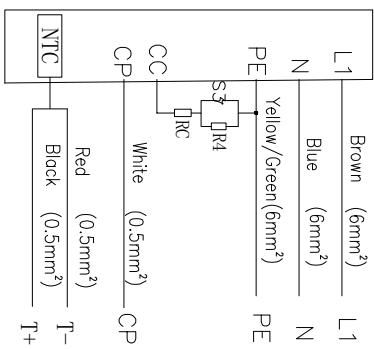
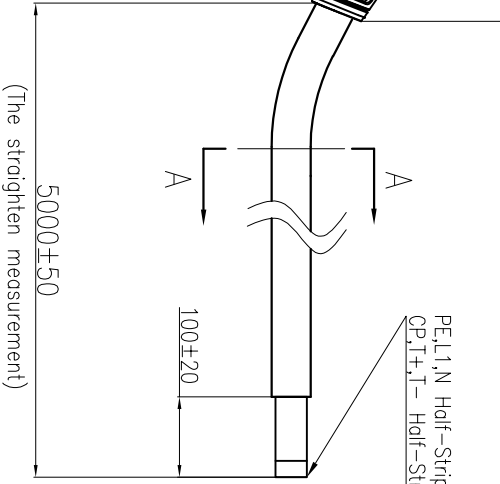
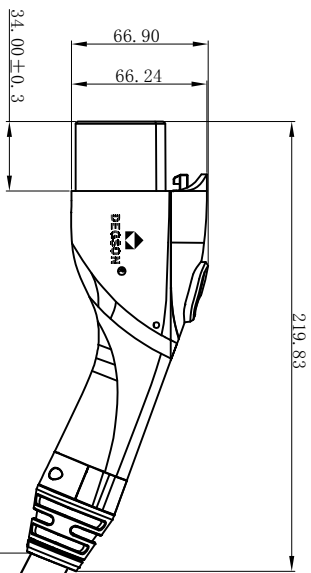
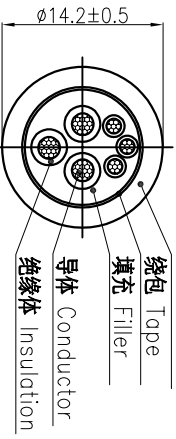


Wiring diagram



RC=220Ω±3%
R4=3.3KΩ±3%



PE,L1,N Half-Stripping:10mm,
CP,T+,T- Half-Stripping: 8mm

X1 Laser printing front note:

DEGSON®

Laser printing back note(Arial):
MGAC-S-032A-V23
-03-5.0M-00A(H)
32A 250V AC
GB/T20234.2-2023
IP67(housing)
20XXXXXX-XXXX

额定电压/电流/Rated voltage/Current	250V AC/32A
绝缘电阻/Insulate resistance	>100MΩ,500V DC 1min
耐压/Withstanding voltage	L, N and PE:2500V AC 1min L and N :2500V AC 1min
防护等级/Ingress protection	IP67(housing)
插拔寿命/Insertion/Pullout times	10,000 Times
插拔力/Insertion/Pullout force	<100N
使用温度范围/Operating temperature(°C)	-30°C~+50°C
线材规格/Cable specification	3*6mm ² +3*0.5mm ² BLACK
标准/Reference standard	GB/T20234.2-2023
符合ROHS环保要求/Conform to ROHS	Yes

DEGSON	MATERIAL:	SURFACE COLOR:
APPD: CHKO	MAT NO/REV: DO-1	MAT STATUS:

DRAFT: ZhouC	DATE: 2025.08.07	DRAWING NO.:	MGAC-S-032A-V23-03-5.0M-00A(H)	TYPE:	CUSTOMER DRAWING	DRAWING STATUS:	SCALE:	SHEET:
DRAFT: A4	mm						1:3	1/1

REV	ECN	DESCRIPTION	DRAFT	DATE
2				

Transfer or duplication of this document as well as the utilization or communication of its contents are prohibited unless explicit authorization is granted. Violations will be liable for compensation. All rights reserved for patent, utility model or designs registrations. 除非给予明确授权, 否则禁止转让、复制、利用、交流本文件的内容, 侵权者将承担赔偿责任。本公司保留对涉及发明、实用新型和外观专利的所有权利。