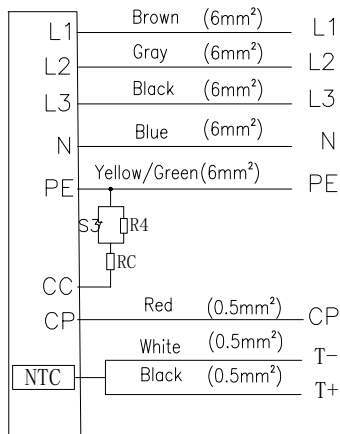


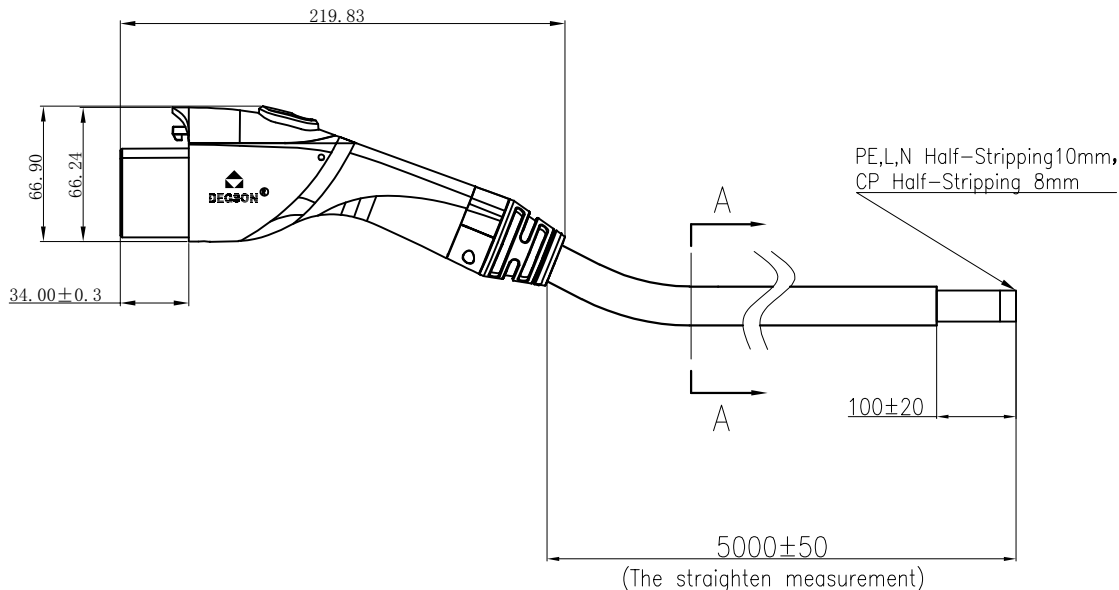
Wiring diagram



RC=220Ω±3%  
R4=3.3KΩ±3%



A-A



X1 Laser printing front note:

Laser printing back note(Arial):  
**MGAC-T-032A-V23**  
**-03-5.0M-00A(H)**  
**32A 440V AC**  
**GB/T20234.2-2023**  
**IP67(housing)**  
**20XXXXXX-XXXX**

额定电压/Rated voltage/Current	440V AC/32A
绝缘电阻/Insulate resistance	>100MΩ,500V DC 1min
耐压/Withstanding voltage	L, N and PE ,2500V AC 1min L and N ,2500V AC 1min
防护等级/Ingress protection	IP67
插拔寿命/Insertion/Pullout times	10,000 Times
插拔力/Insertion/Pullout force	<100N
使用温度范围/Operating temperature(°C)	-30°C~+50°C
线材规格/Cable specification	5*6mm <sup>2</sup> +3*0.5mm <sup>2</sup> BLACK
标准/Reference standard	GB/T20234.2-2023
符合ROHS环保要求/Conform to ROHS	Yes

		MATERIAL:	SURFACE/COLOR:	
APPD:		MAT NO./REV: D0-1	MAT STATUS:	
CHKD:		NAME MGAC-T-032A-V23-03-5.0M-00A(H)		
DRFT: ZhouC	2024.12.13	DRAWING NO.	TYPE	DRAWING STATUS
A4		CUSTOMER DRAWING		SCALE
				SHEET
				1/1

REV	ECN	DESCRIPTION	DRFT	DATE

Transfer or duplication of this document as well as the utilization or communication of its contents are prohibited unless explicit authorization is granted. Violations will be liable for compensation. All rights reserved for patent, utility model or design registrations. 未经许可，不得复制或传播。 否则，侵权必究。 本公司保留对涉及发明、实用新型和外观设计的所有权利。