

尺寸公差(mm)					0.05/10 ±1'
0 ~ 30	>30 ~ 60	>60 ~ 100	>100 ~ 150	>150	
±0.20	±0.30	±0.50	±0.70	±1.00	

技术要求/Technical requirements:	
颜色/Color	Black
外壳材料/Housing method	PA+25%GF
接触件材料/Connector material	紫铜/Red copper C1100
插入力/Insertion force	80N
拔出力/Withdrawal force	12.5N
插拔次数/Mechanical working life(mating cycles)	50
额定电压/Rate voltage	480V
额定电流/Rate current	150A
绝缘电阻/Insulate resistance	≥5000MΩ (初始/Initial) ≥1000 MΩ (测试后/After)
耐电压/Withstanding voltage	1000V
接触电阻/Contact resistance	≤0.5mΩ
过电压等级/Overvoltage category	III
污染等级/Pollution degree	3
防护等级/Ingress protection	/
使用温度范围/Operating temperature(°C)	-40~+105
盐雾/Salt spray	48H
阻燃等级/Flame retardant ability	UL94-V0
符合 RoHS 环保要求/Conform to RoHS	Yes
UL 1977 认证/UL 1977 certification	
满足户外使用/Satisfy outdoor use	No
重点管控符号/Key controlled symbol	*

视图中的PCB和汇流排仅供参考

PCB AND BUSBAR-CONDUCTOR

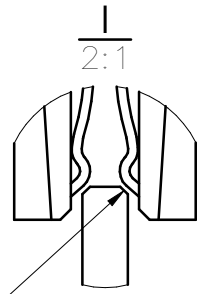
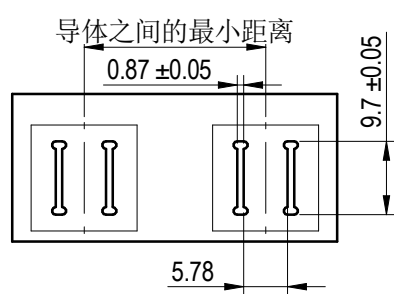
IN THESE VIEWS ARE SHOWN FOR REFERENCE ONLY.

注意事项:

1. 镀层: 镍 1.27 μm min 打底, 亮锡 3 μm min.

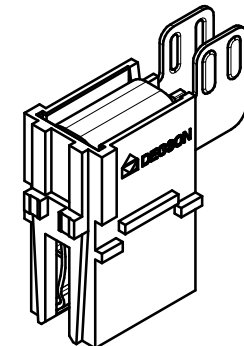
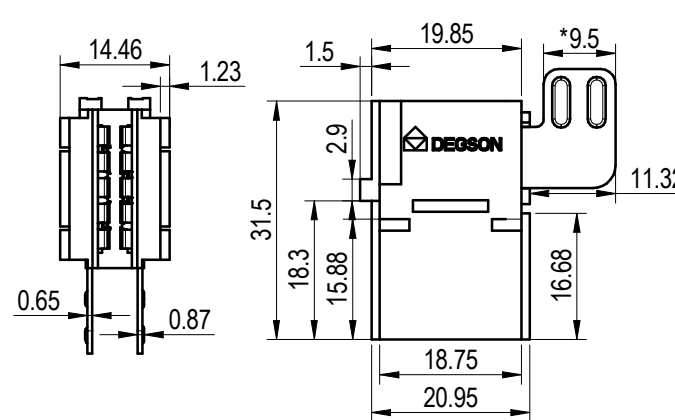
Notes:

1. Plating: Matte tin 3 μm min, over nickel 1.27 μm min.



建议汇流排上最小半径0.5mm圆角或倒角边缘  
0.5mm Min. RADIUS OR CHAMFERED EDGE ON  
BUSBAR CONDUCTOR RECOMMENDED

参考PCB布局厚度1.5-2.0mm  
RECOMMENDED PCB LAYOUT  
THICKNESS 1.5-2.0mm



		MATERIAL:	SURFACE/COLOR:		
		MAT NO./REV: 2804000545-1 / 00.01	MAT STATUS: work		
APPD:		NAME			
CHKD:		EBD-150A-B35-D-BK-01			
DRFT:		DRAWING NO. 200323541	TYPE CUSTOMER DRAWING	DRAWING STATUS work	SCALE 2:1
				SHEET 1/1	

REV	ECN	DESCRIPTION	DRFT	DATE
00				

Transfer or duplication of this document as well as the utilization or communication of its contents are prohibited unless authorized in writing. All rights reserved for patent. activity made or design registrations. 除专利注明情况外, 未经许可, 不得复制或传播。 除专利注明情况外, 未经许可, 不得复制或传播。