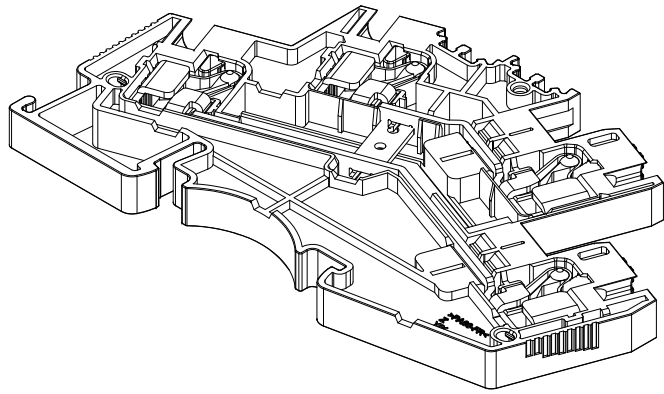
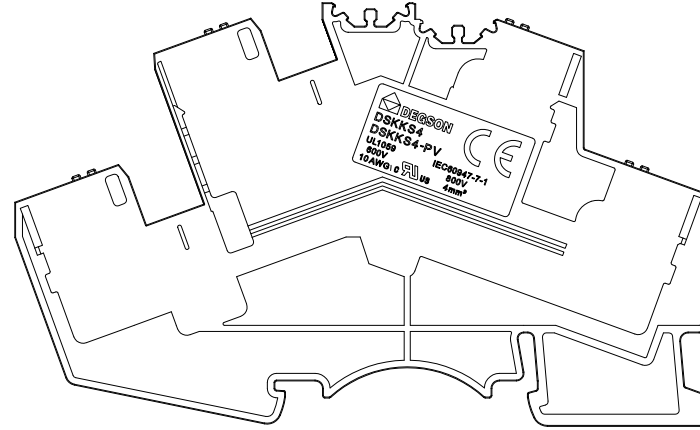
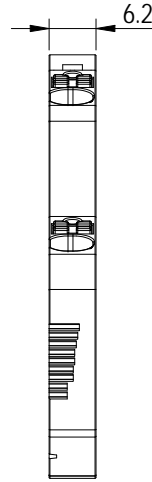
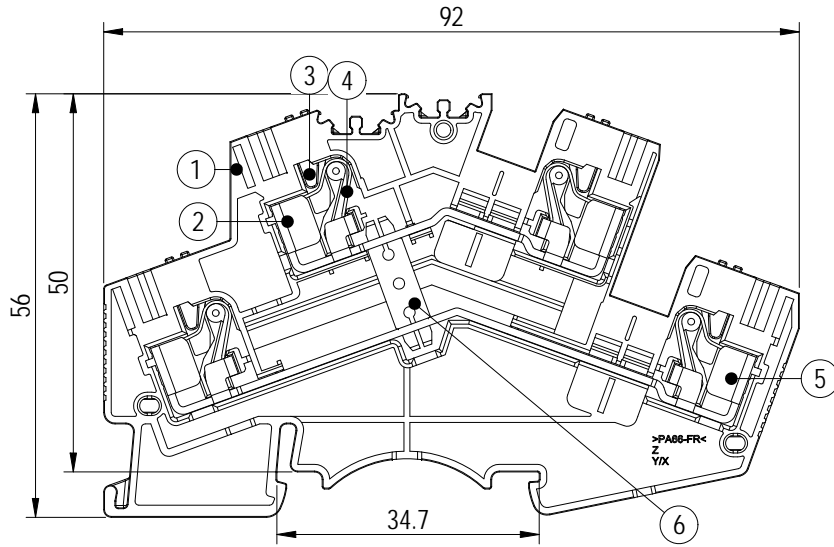
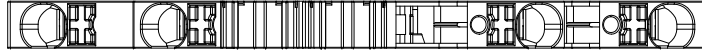


未注公差/General tolerances (mm)													0.1/10 ±2'
0	>3	>6	>10	>18	>30	>50	>80	>120	>180	>250	>315	>400	
~3	~6	~10	~18	~30	~50	~80	~120	~180	~250	~315	~400	~500	>500
±0.12	±0.18	±0.22	±0.26	±0.31	±0.37	±0.57	±0.80	±0.93	±1.05	±1.15	±1.60	±2.20	±2.50



ITEM	NAME OF PART	MATERIAL	NOTES
6	Bridge_piece	Copper alloy	Sn Plated
5	Current_carrier-2	Copper	Sn Plated
4	Spring	Stainless steel	/
3	Button	PA66+GF	UL94V-0
2	Current_carrier-1	Copper	Sn Plated
1	Housing	PA66	UL94V-0

UL 标准/UL Standard:			
额定电压/电流/Rated Voltage(V)/Current (A)	B	C	D
	600/30	600/3	/
IEC 标准/IEC Standard:			
过压类别/Overvoltage Category/污染等级/Pollution Degr	III/3	III/2	II/2
额定电压/电流/Rated Voltage(V)/Current (A)	800/32	/	/
额定脉冲电压 (KV)/Rate Impulse Voltage (KV)	8	/	/
线径范围(硬线和软线)/Wire Range(rigid and flexible) (26~10 / 0.2~4&6 (SOL))			
间距/Pitch (mm)/线数范围/Poles	6.2/N=01P		
剥线长度/Stripping length (mm)	10~11		
使用温度范围/Operating temperature (°C)	-40~+105		
符合RoHS环保要求/Conform to RoHS	Yes		

APPD:	Li GL	2024.07.08
CHKD:	Ma EK	2024.07.08
DRFT:	Zong MZ	2024.07.08

MATERIAL:	SURFACE/COLOR:		
MAT NO./REV:	/	MAT STATUS: 批量	
NAME			
DSKKS4-PV-01P-1Y-00Z (H)			

REV	ECN	DESCRIPTION	DRFT	DATE
00	ECN	NEW DRAWING	Zong MZ	2024.07.08

DRAWING NO.	TYPE	DRAWING STATUS	SCALE	SHEET
200073691	COSTUMER DRAWING	work	2:1	1/1

Transfer or duplication of this document as well as the utilization or communication of its content are prohibited unless authorized in writing by DEGSON. All rights reserved for patent. 除专利等明确标注外，其他内容均受版权保护。未经授权，禁止复制或传播。 除专利等明确标注外，其他内容均受版权保护。 除专利等明确标注外，其他内容均受版权保护。