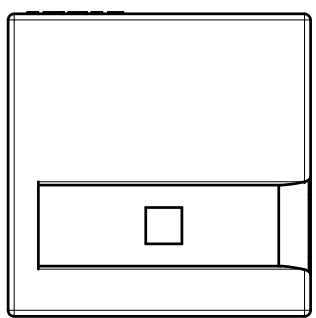
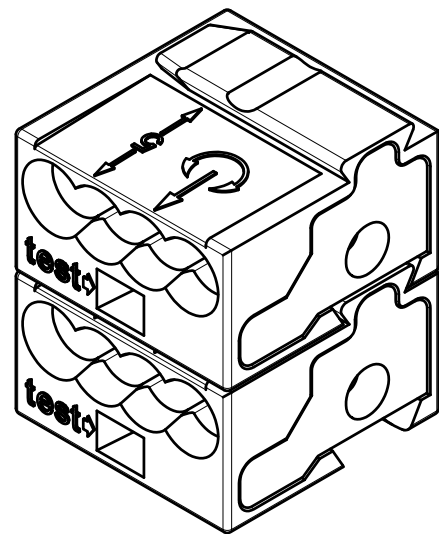
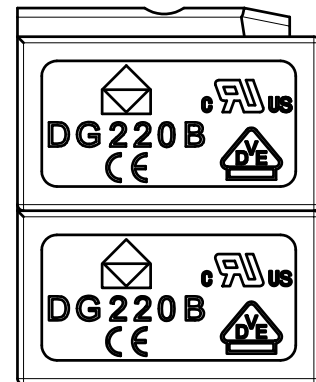
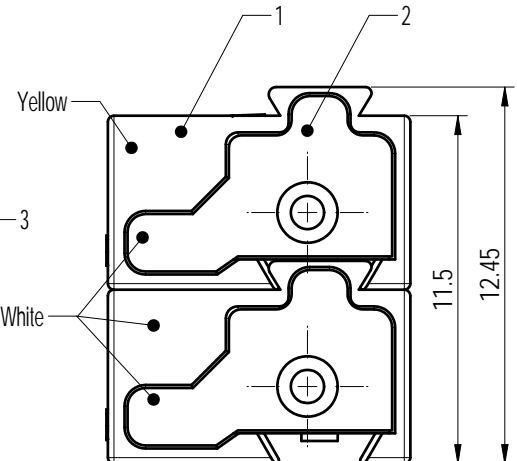
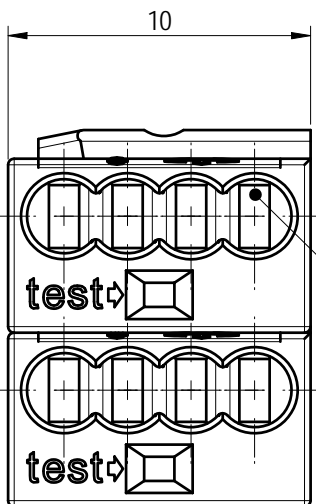
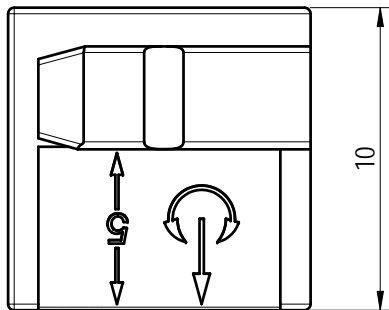


Transfer or duplication of this document as well as the utilization or communication of its content are prohibited unless authorized in writing. All rights reserved for patent, utility model or design registrations. 除专利、实用新型、外观设计、发明专利、软件著作权、集成电路布图设计专有权、商业秘密和域名等权利外，其他权利均归本公司所有。



公差/General tolerances (mm)													0.1/10
0	>3	>6	>10	>18	>30	>50	>80	>120	>180	>250	>315	>400	
~3	~6	~10	~18	~30	~50	~80	~120	~180	~250	~315	~400	~500	
±0.12	±0.18	±0.22	±0.26	±0.31	±0.37	±0.57	±0.80	±0.93	±1.05	±1.15	±1.60	±2.20	
												±2.50	

Note:
The A&Z (H) in the name means: A(H) and Z(H).

ITEM	NAME OF PART	MATERIAL	NOTES
3	Current carrier	Copper alloy	Sn plated
2	Cover	PA66	UL94V-0
1	Housing	PA66	UL94V-0

UL 标准/UL Standard:		/		
额定电压/电流/Rated Voltage(V)/Current(A)		150/7		
IEC 标准/IEC Standard:		/		
过压类别/Overvoltage Category/污染等级/Pollution Degree		III/3	III/2	II/2
额定电压/电流/Rated Voltage(V)/Current(A)		250/6	320/6	630/6
额定脉冲电压(KV)/Rate Impulse Voltage(KV)		4	4	4
线径范围(硬线和软线)/Wire Range(rigid and flexible)(AWG/mm ²)		22~18(Sol) / 0.5~1.0(Sol)		
剥线长度/Stripping length(mm)		5~6		
使用温度范围/Operating temperature(°C)		-40~+105		
符合RoHS环保要求/Conform to RoHS		Yes		

DEGSON		MATERIAL:		SURFACE/COLOR:	
MAT NO./REV:		/ 00		MAT STATUS: 批量	
APPD: 兰春华	2023.03.07	NAME			
CHKD: 陈招	2023.02.24	DG220B-2.1-08P-1Y-01A&Z(H)			
DRFT: 龚徐涛	2023.02.24	DRAWING NO.	TYPE	DRAWING STATUS	SCALE
		200029509	CUSTOMER DRAWING	已发布	5:1
				SHEET	1/1

REV	ECN	DESCRIPTION	DRFT	DATE
00			龚徐涛	2023.02.24