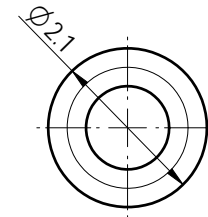
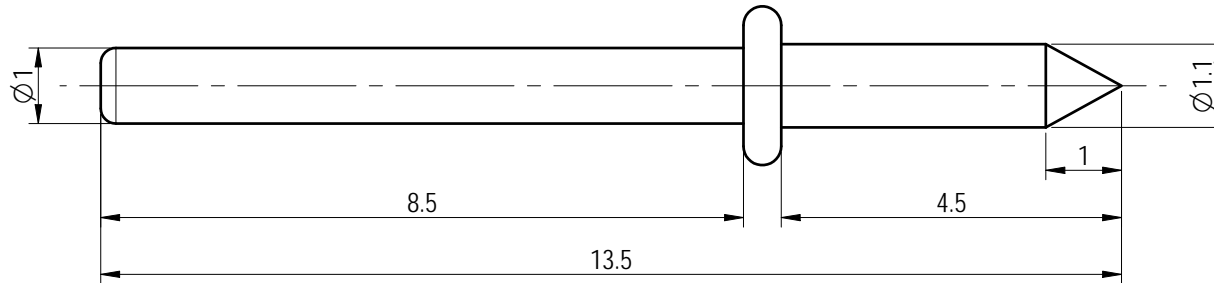
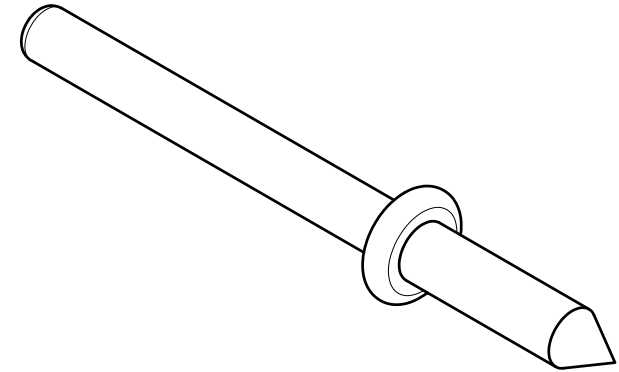


Transfer or duplication of this document as well as the utilization or communication of its contents are prohibited unless authorized in writing by DEGSON. All rights reserved for patent, utility model or design registrations. 除零部件明确标注外, 否则禁止转让、复制、引用、交流等文件的行为。 未经书面许可, 不得擅自复制或传播文件内容。 保留所有权利, 侵权必究。

未注公差/General tolerances (mm)														
0	>3	>6	>10	>18	>30	>50	>80	>120	>180	>250	>315	>400	0.1/10 ±2'	
~3	~6	~10	~18	~30	~50	~80	~120	~180	~250	~315	~400	~500		
±0.12	±0.18	±0.22	±0.26	±0.31	±0.37	±0.57	±0.80	±0.93	±1.05	±1.15	±1.60	±2.20	±2.50	
PCB开孔直径/PCB drilled hole diameter(mm)											1.3 <sup>+0.05</sup> <sub>-0</sub>			
符合RoHS环保要求/Conform to RoHS											Yes			



Note:  
The A&Z(H) in the name means :A(H) and Z(H).

1	Pin	Copper alloy	Sn Plated
ITEM	NAME OF PART	MATERIAL	NOTES

		MATERIAL: /		SURFACE/COLOR: /	
APPD: 兰春华 2022.11.03		MAT NO./REV: - / 00		MAT STATUS: 批量	
CHKD: 陈招 2022.11.03		NAME DG220J-01P-00A&Z(H)			
DRFT: 岑凯 2022.11.03		DRAWING NO.	TYPE	DRAWING STATUS	SCALE
REV 00		200027829	CUSTOMER DRAWING	已发布	10:1
ECN	DESCRIPTION	DRFT	DATE	SCALE	SHEET
		岑凯	2022.11.03	10:1	1/1

00			岑凯	2022.11.03
REV	ECN	DESCRIPTION	DRFT	DATE