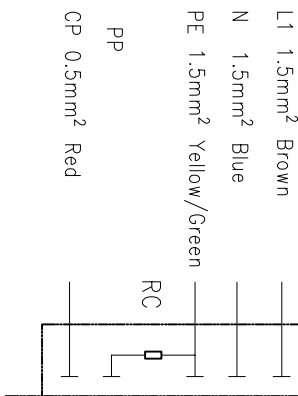
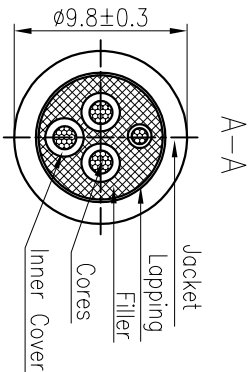


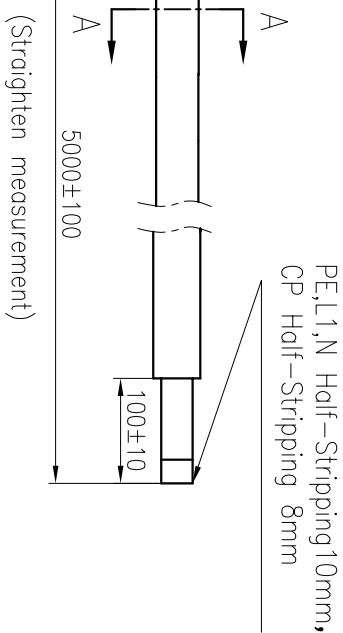
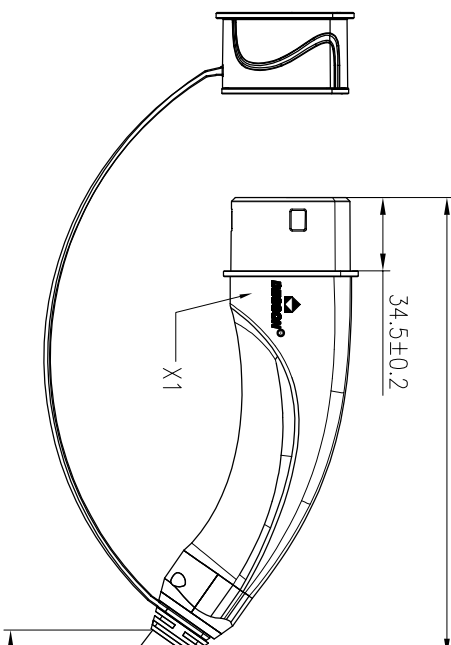
Wiring diagram



RC=6800±3%



公差/General tolerances(mm)		0.1/10
0	>3	~
3	6	~
6	10	~
10	18	~
18	30	~
30	50	~
50	80	~
80	120	~
120	180	~
180	250	~
250	315	~
315	400	~
400	500	~
500	>500	~
±0.12/±0.18/±0.22/±0.26/±0.31/±0.37/±0.57/±0.80/±0.93/±1.05/±1.15/±1.60/±2.20/±2.50		±2



X1

Laser Printing Front Note:

DEGSON®

Laser Printing Back Note(Arial):

MEAC-S-016A-V21-03-5.0M-10AH

16A 250V AC

IEC 62196-2:2022

IP67

20xxxxxx-xxxx

额定电压/Rated voltage/Current	250V AC/16A
绝缘电阻/Insulation resistance	>100MΩ,500V DC 1min
耐压/Withstanding voltage	L, N and PE ,2500V AC 1min
防护等级/Ingress protection	IP67
插接寿命/Insertion/Pullout times	10,000 Times
插接力/Insertion/Pullout force	<100N
使用温度范围/Operating temperature(°C)	-30~+50
线材规格/Cable specification	3*1.5mm ² +1*0.5mm ² Black
标准/Reference standard	IEC 62196-2:2022
符合RoHS环保要求/Conform to RoHS	Yes

DEGSON		MATERIAL:	SURFACE/COLOR:
APPD:		MAT NO./REV:	D0-1
CHKD:			
DRAFT:	Zhang H 2023.02.07	DRAWING NO.	NAME MEAC-S-016A-V21-03-5.0M-10A(H)
	A4	TYPE	CUSTOMER DRAWING
		DRAWING STATUS	SCALE
			1:3
		SHEET	1/1

REV	ECN	DESCRIPTION	DRAFT	DATE