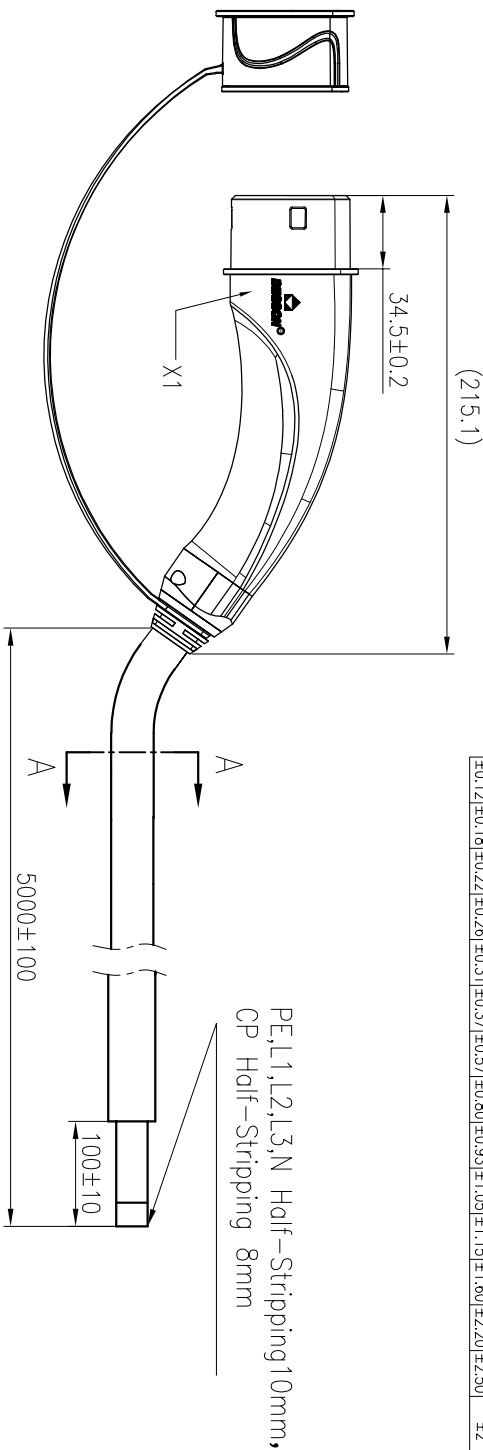
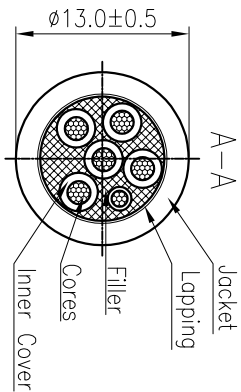
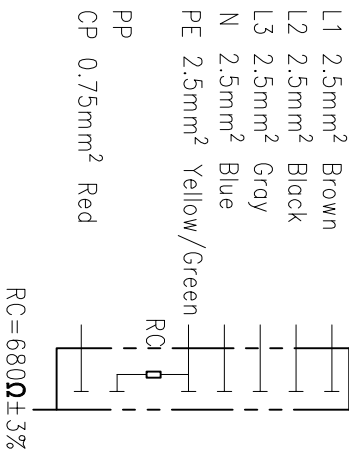


Wiring diagram



(Straighten measurement)

公差/General tolerances(mm)		0.1/10
0	>3	~
3	6	~
6	10	~
10	18	~
18	30	~
30	50	~
50	80	~
80	120	~
120	180	~
180	250	~
250	315	~
315	400	~
400	500	~
500	>500	~
±0.12 ±0.18 ±0.22 ±0.26 ±0.31 ±0.37 ±0.57 ±0.80 ±0.93 ±1.05 ±1.15 ±1.60 ±2.20 ±2.50		±2

X1

Laser Printing Front Note:

Laser Printing Back Note(Arial):
 MEAC-T-020A-V22-03-5.0M-10AH
 20A 480V AC
 IEC 62196-2:2022
 IP67
 20xxxxxx-xxxx

额定电压/Rated voltage/Current	480V AC/20A
绝缘电阻/Insulation resistance	>100MΩ, 500V DC 1min
耐压/Withstanding voltage	L, N and PE, 2500V AC 1min
防护等级/Ingress protection	IP67
插接寿命/Insertion/Pullout times	10,000 Times
插接寿命/Insertion/Pullout force	<100N
使用温度范围/Operating temperature(°C)	-30~+50
线材规格/Cable specification	5*2.5mm ² +1*0.75mm ² Black
标准/Reference standard	IEC 62196-2:2022
符合RoHS环保要求/Conform to RoHS	Yes

		MATERIAL:	SURFACE/COLOR:
APPD:	CHKD:	MAT NO./REV: D0-1	MAT STATUS:
DRAFT: Zhang	H	2023.02.07	
DRAWING NO. NAME MEAC-T-020A-V22-03-5.0M-10A(H)		TYPE	DRAWING STATUS
CUSTOMER DRAWING		CUSTOMER DRAWING	SCALE
			SHEET
			1/1

REV	ECN	DESCRIPTION	DRAFT	DATE