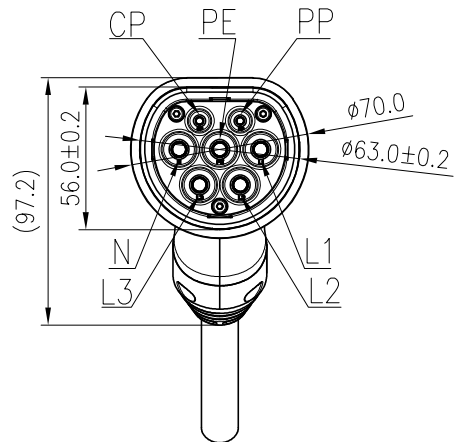


未注公差/General tolerances(mm)											0.1/10 ±2'		
0	>3	>6	>10	>18	>30	>50	>80	>120	>180	>250			
~3	~6	~10	~18	~30	~50	~80	~120	~180	~250	~315	>400	>500	
±0.12	±0.18	±0.22	±0.26	±0.31	±0.37	±0.57	±0.80	±0.93	±1.05	±1.15	±1.60	±2.20	±2.50



Wiring diagram

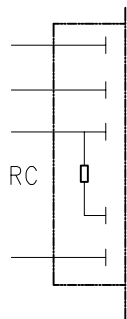
L1 2.5mm<sup>2</sup> Brown

N 2.5mm<sup>2</sup> Blue

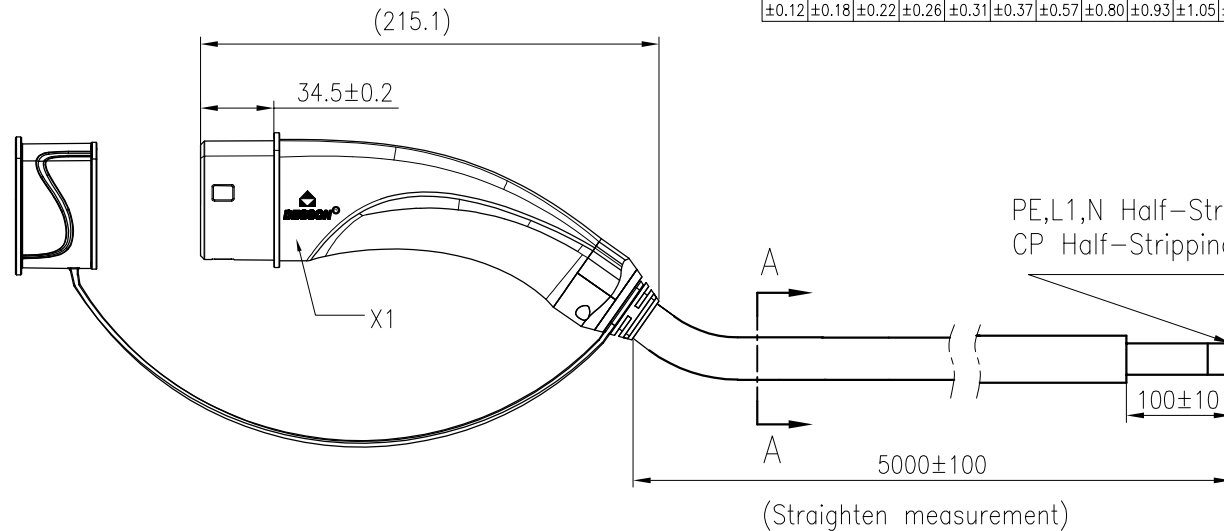
PE 2.5mm<sup>2</sup> Yellow/Green

PP

CP 0.75mm<sup>2</sup> Red



RC=680Ω±3%



X1 Laser Printing Front Note:



Laser Printing Back Note(Arial):

MEAC-S-016A-V22-03-5.0M-10AH

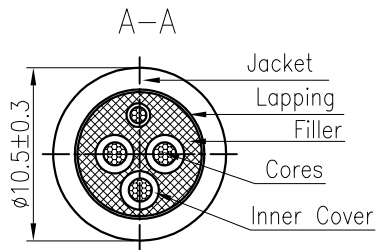
16A 250V AC

IEC 62196-2:2022

IP67

20xxxxxx-xxxx

额定电压/Rated voltage/Current	250V AC/16A
绝缘电阻/Insulation resistance	>100MΩ,500V DC 1min
耐压/Withstanding voltage	L, N and PE ,2500V AC 1min L and N ,2500V AC 1min
防护等级/Ingress protection	IP67
插拔寿命/Insertion/Pullout times	10,000 Times
插拔力/Insertion/Pullout force	<100N
使用温度范围/Operating temperature(°C)	-30~+50
线材规格/Cable specification	3*2.5mm <sup>2</sup> +1*0.75mm <sup>2</sup> Black
标准/Reference standard	IEC 62196-2:2022
符合RoHS环保要求/Conform to RoHS	Yes



	MATERIAL:	SURFACE/COLOR:			
	MAT NO./REV: DO-1	MAT STATUS:			
APPD:	NAME MEAC-S-016A-V22-03-5.0M-10A(H)				
CHKD:					
DRFT: Zhang H 2025.02.07	DRAWING NO.	TYPE	DRAWING STATUS	SCALE	SHEET
	CUSTOMER DRAWING			1:3	1/1

REV	ECN	DESCRIPTION	DRFT	DATE