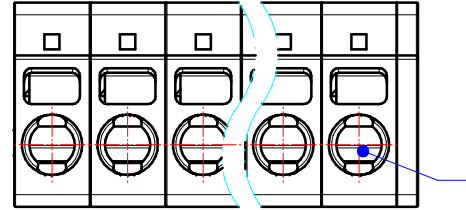
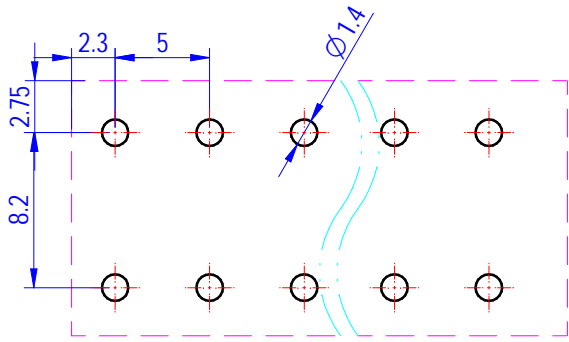
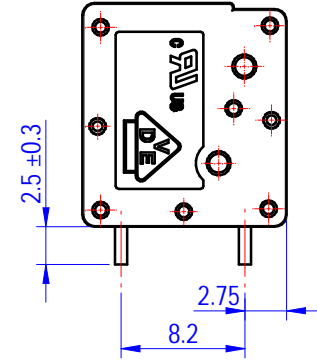
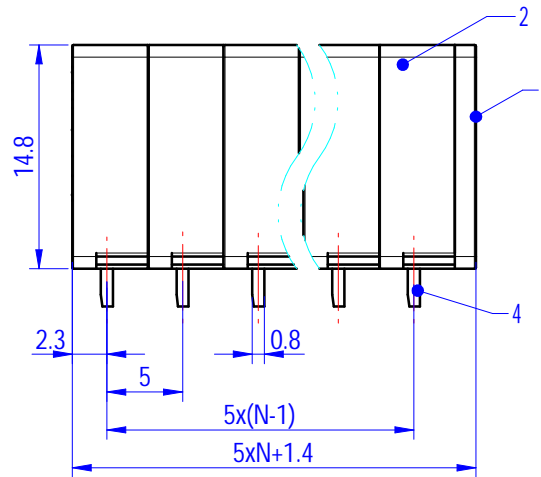
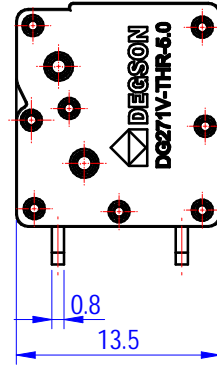
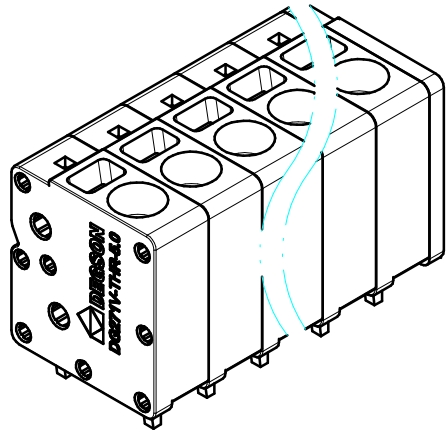


PCB LAYOUT



未注公差/General tolerances (mm)													
0	>3	>6	>10	>18	>30	>50	>80	>120	>180	>250	>315	>400	0.1/10 ±2'
~3	~6	~10	~18	~30	~50	~80	~120	~180	~250	~315	~400	~500	
±0.12	±0.18	±0.22	±0.26	±0.31	±0.37	±0.57	±0.80	±0.93	±1.05	±1.15	±1.60	±2.20	±2.50

UL 标准/UL Standard:		B	C	D
额定电压/电流/Rated Voltage(V)/Current(A)		300/20	/	300/10
IEC 标准/IEC Standard:				
过压类别/Overvoltage Category/污染等级/Pollution Degree		III/3	III/2	II/2
额定电压/电流/Rated Voltage(V)/Current(A)		250/24	400/24	630/24
额定脉冲电压(KV)/Rate Impulse Voltage(KV)		4	4	4
线径范围(硬线和软线)/Wire Range(rigid and flexible) (AWG/mm²)		24~12/ 0.2~2.5,4(Sol)		
间距/Pitch(mm)/线数范围/Poles		5/N=01~24P		
剥线长度/Stripping length(mm)		10		
使用温度范围/Operating temperature(°C)		-40~+120		
符合RoHS环保要求/Conform to RoHS		Yes		
4	Pin header	Copper	Sn plated	
3	Cover	Thermoplastic	UL94V-0	
2	Housing	Thermoplastic	UL94V-0	
1	Spring	Stainless steel	/	
ITEM	NAME OF PART	MATERIAL	NOTES	



		MATERIAL:	SURFACE/COLOR: pantone 419C		
		MAT NO./REV:	MAT STATUS: 设计放行		
APPD: 兰春华	2025.04.10	NAME			
CHKD: 陈招	2025.04.10	DG271V-THR-5.0-XXP-1Y-00Z (H)			
DRFT: 方荣荣	2025.04.10	DRAWING NO.	TYPE	DRAWING STATUS	SCALE
		200093158	CUSTOMER DRAWING	已发布	2:1
					SHEET 1/1

REV	ECN	DESCRIPTION	DRFT	DATE
01		1x新增UL、VDE印字	方荣荣	2025.04.10

Transfer or duplication of this document as well as the utilization or communication of its contents are prohibited unless explicitly authorized by Degson. All rights reserved for patent. 除专利申明情况外，未经许可，不得复制或传播本文件内容。本公司保留所有权利。 未经授权，不得复制或传播本文件内容。 除专利申明情况外，未经许可，不得复制或传播本文件内容。 本公司保留所有权利。