



DRPG-1C-SSR-DXX/AXX/X

特点

- 过零或随机导通开关
- 负载 60A - 125A @ 24-660VAC
- SCR 芯片输出
- 直流输入
- 介质耐压 4000VACrms
- LED 指示灯
- 可选内置 TVS 保护
- 满足 IP20 防护要求

Features

- Zero Crossing or Random-on Switching
- Ratings from 60A to 125A @ 24-660VAC
- SCR Output
- DC Input
- Dielectric Strength 4000VACrms
- LED Indication
- Panel mounted
- IP20 touch-safe housing

技术参数 General Specifications

输入参数 (Ta=25°C) Input Specifications (Ta=25°C)

控制电压范围 Control Voltage Range	4-32VDC
确保导通电压 Must Turn-on Voltage	3VDC
确保关断电压 Must Turn-off Voltage	1VDC
最大控制电流 Maximum Input Current	25mA (@32VDC)

输出参数 (Ta=25°C) Output Specifications (Ta=25°C)

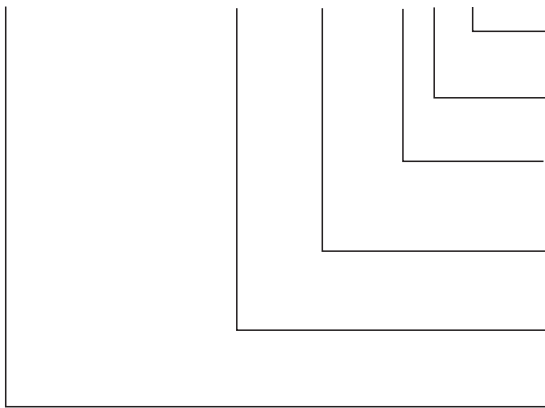
负载电压范围 Load Voltage Range	240VAC: 24V-280VAC	380VAC: 24V-440VAC	480VAC: 24V-530VAC	600VAC: 24V-660VAC
最大瞬态电压 Maximum Transient Overvoltage	240VAC: 600Vpk	380VAC: 800Vpk	480VAC: 1200Vpk	600VAC: 1200Vpk
最大导通时间 Maximum Turn-on Time	10ms			
最大关断时间 Maximum Turn-off Time	10ms			
最大浪涌电流(在10 ms内) Maximum Surge Current (@10 ms)	60A: 700A	80A: 800A	100A: 1500A	125A: 2250A
I ² t 值 Value of I ² t	60A: 2450A ² s	80A: 3200A ² s	100A: 11250A ² s	125A: 25000A ² s
最大断态漏电流(在额定电压下) Maximum Off-State Leakage Current@Rated Load Voltage	3mA	Without RC: 0.1mA		
最大导通压降(在额定电流下) Maximum On-State Voltage Drop@Rated Current	Typical: 1.25Vrms Maximum: 1.5Vrms			
断态电压指数上升率dv/dt Minimum Off-State dv/dt @ Maximum Rated Voltage	500V/μs			
工作频率范围 Operating Frequency Range	47Hz~63Hz			

其他参数 (Ta=25°C) General Specifications (Ta=25°C)

介质耐压(输入-输出, 50Hz/60Hz) Dielectric Strength (50/60Hz)	Input/Output: 4000Vrms	Input, Output /Base: 4000Vrms
绝缘电阻(@500VDC) Minimum Insulation Resistance (@500VDC)	100MΩ	
最小功率因数 Min.Power Factor	0.5	
最小负载电流 Min. Load Current	100mA	
工作温度范围 Ambient Operating Temperature Range	-30°C ~ +80°C	
储存温度范围 Ambient Storage Temperature Range	-30°C ~ +100°C	
重量(典型值) Weight (Typical)	80g	

型号订购 Model Order

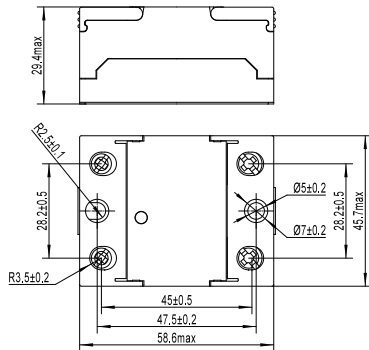
DRPG-1C-SSR-D24/A240/60-X-09Z(H)



- 环保:H
RoHS:H
- P 输出TVS保护, R随机开关
P Output TVS protection, R Random switching
- 负载电流: 60:60Amp, 80:80Amp, 100:100Amp, 125:125Amp
Load Current: 60:60Amp, 80:80Amp, 100:100Amp, 125:125Amp
- 负载电压: 240:240VAC, 480:480VAC, 600:600VAC
Load Voltage: 240:240VAC, 480:480VAC, 600:600VAC
- 额定输入电压: DC: 24V
Rated Input Voltage: DC: 24V
- 产品大类: DRPG-1C-SSR
Product Category: DRPT-1C-SSR

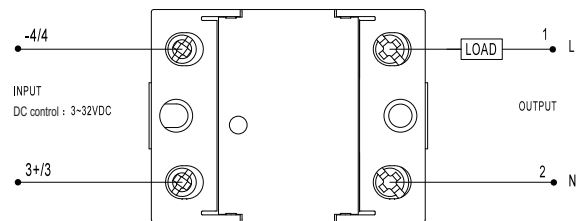
外形尺寸图 Overall Dimensions

DRPG-1C-SSR



接线图 Wiring Diagrams

DRPG-1C-SSR



温度曲线 Thermal Derating Curve

