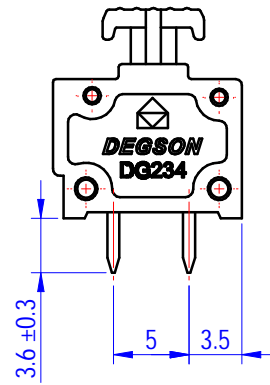
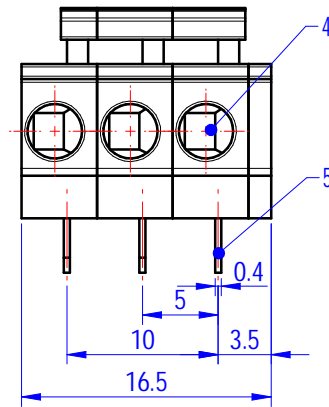
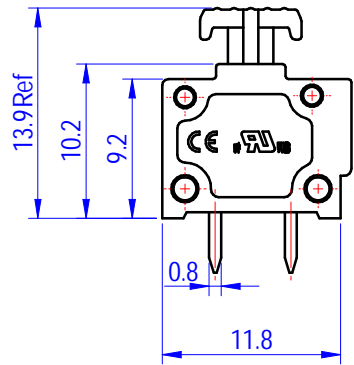
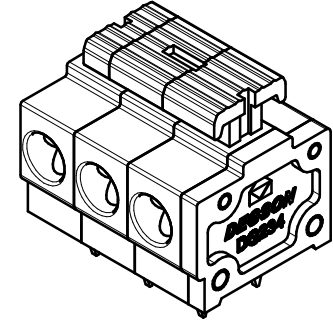
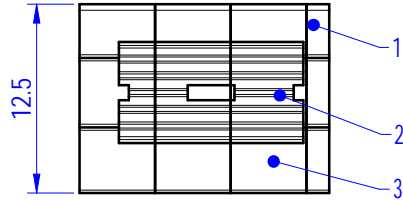


未注公差/General tolerances (mm)													0.1/10 ±2'
0	>3	>6	>10	>18	>30	>50	>80	>120	>180	>250	>315	>400	
~3	~6	~10	~18	~30	~50	~80	~120	~180	~250	~315	~400	~500	~500
±0.12	±0.18	±0.22	±0.26	±0.31	±0.37	±0.57	±0.80	±0.93	±1.05	±1.15	±1.60	±2.20	±2.50



ITEM	NAME OF PART	MATERIAL	NOTES
5	Pin header	Copper alloy	Sn Plated
4	Spring	Stainless steel	/
3	Housing	PA66	UL94V-0
2	Button	PA66	UL94V-0
1	Cover	PA66	UL94V-0

UL 标准/UL Standard:	B	C	D
额定电压/电流/Rated Voltage(V)/Current(A)	300/10	/	300/10
IEC 标准/IEC Standard:			
过压类别/Overtoltage Category/污染等级/Pollution Degree	III/3	III/2	II/2
额定电压/电流/Rated Voltage(V)/Current(A)	250/10	320/10	630/10
额定脉冲电压(KV)/Rate Impulse Voltage(KV)	4	4	4
线径范围(硬线和软线)/Wire Range (rigid and flexible)(AWG mm ²)	30~ 16/ 0.5~ 1.5		
剥线长度/Stripping length (mm)	10		
使用温度范围/Operating temperature(°C)	-40~ + 105		
符合 RoHS 环保要求/Conform to RoHS	Yes		



MATERIAL:	SURFACE/COLOR:
MAT NO./REV:	MAT STATUS: 批量

APPD: 兰春华	2022.08.12
CHKD: 陈招	2022.08.12
DRFT: 龚徐涛	2022.08.12

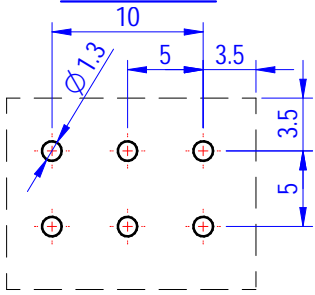
NAME				
DG234-5. 0-03P-1Y-100A&Z (H)				

00		T1版升为00版	龚徐涛	2022.08.12
REV	ECN	DESCRIPTION	DRFT	DATE

DRAWING NO.	TYPE	DRAWING STATUS	SCALE	SHEET
200031798	CUSTOMER DRAWING	已发布	2:1	1/1

1	2	3	4	5	6
---	---	---	---	---	---

PCB LAYOUT



Transfer or duplication of this document as well as the utilization or communication of its contents are prohibited unless authorized by Degson. All rights reserved for patent, utility model or design registrations. 除专利、实用新型、外观设计、软件著作权、商标、印刷、光盘等文件外，所有其他文件均受法律保护。