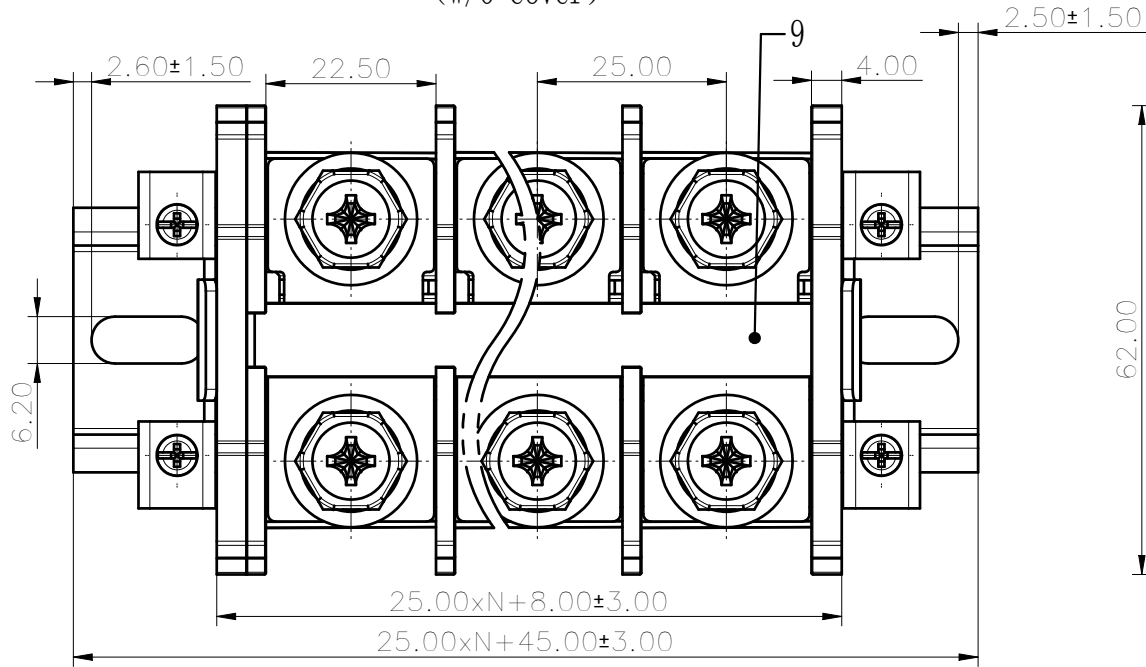
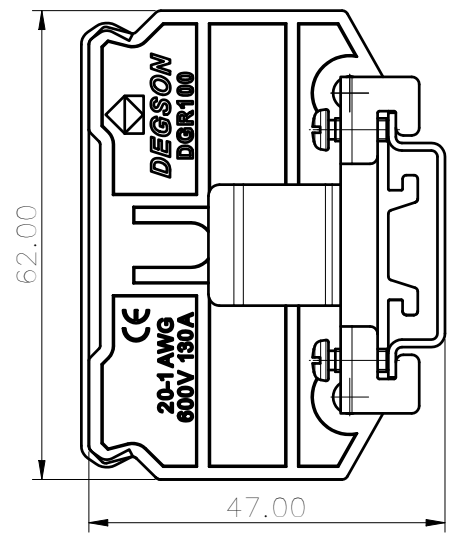


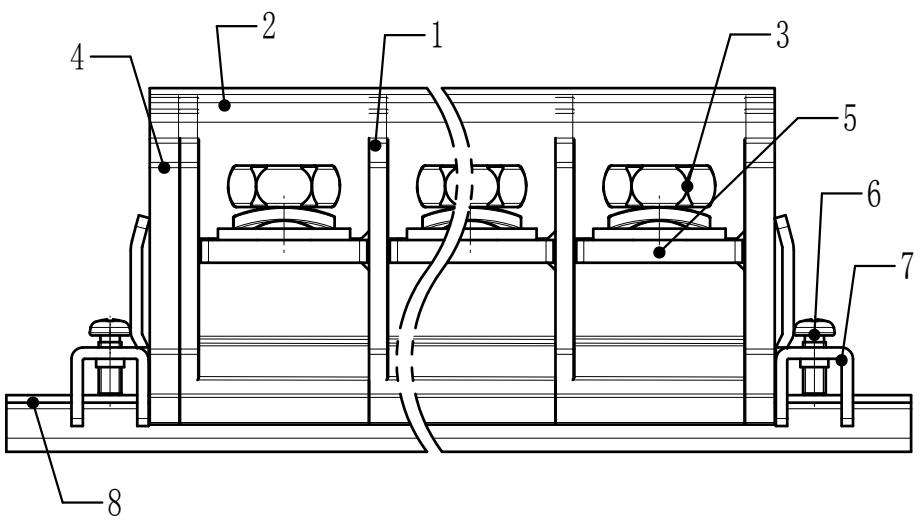
(W/O Cover)



未注公差/General tolerances(mm)													0.1/10
0	>3	>6	>10	>18	>30	>50	>80	>120	>180	>250	>315	>400	
~3	~6	~10	~18	~30	~50	~80	~120	~180	~250	~315	~400	~500	>500
±0.12	±0.18	±0.22	±0.26	±0.31	±0.37	±0.57	±0.80	±0.93	±1.05	±1.15	±1.60	±2.20	±2.50



UL 额定电压电流/Rated Voltage/Current	600V/130A(B/C)
UL 工频耐压/R.M.S withstand voltage	AC2200V/1Min
线径范围/Wire range(AWG)	20~1
线数范围/Poles	N=01~16P
螺丝扭矩/Tightening torque(N·m/Lb·in)	M8, 6.7/60.0
螺丝需松紧一次/Screw tightening once	无卡死/No jammed
使用温度范围/Operating temperature(°C)	-40~+125
剥线长度/Stripping length(mm)	17~18



ITEM	NAME OF PART	MATERIAL	NOTES
9	Tag	PVC	UL94V-0
8	Tramroad	Steel	Zn Plated
7	Fastener	Steel	Zn Plated
6	Screw2	Steel	Zn Plated/M3
5	Current carrier	Copper alloy	Ni Plated
4	Housing2	PC	UL94V-0
3	Screw1	Steel	Zn Plated/M8
2	Cover	PC	UL94V-2
1	Housing1	PC	UL94V-0

		MATERIAL:	SURFACE/COLOR:
		MAT NO./REV: - / 00	MAT STATUS: 批量
APPD: 蓝贵凡 2023.06.12	NAME	DGR100-XXP-1Y-00Z (H)	
CHKD: 曹利彬 2023.06.12	DRAWING NO. 200044195		
DRFT: 孙科豪 2023.06.12	TYPE	DRAWING STATUS	SCALE
		CUSTOMER DRAWING	已发布
		SHEET	1/1

REV	ECN	DESCRIPTION	DRFT	DATE
00	/	/	孙科豪	2023.06.12

Transfer or duplication of this document as well as the utilization or communication of its contents are prohibited unless express authorization is granted. All rights reserved for patent, utility model or designs registrations. 非经书面授权, 严禁禁止转让、复制、利用、交本文件内容, 一经发现, 侵权必究。本公司保留对涉及发明、实用新型和外观设计的所有权利。