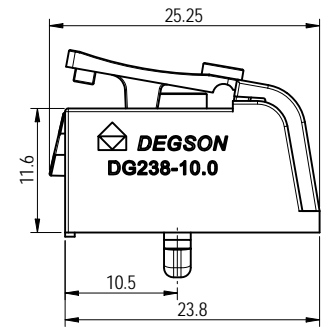
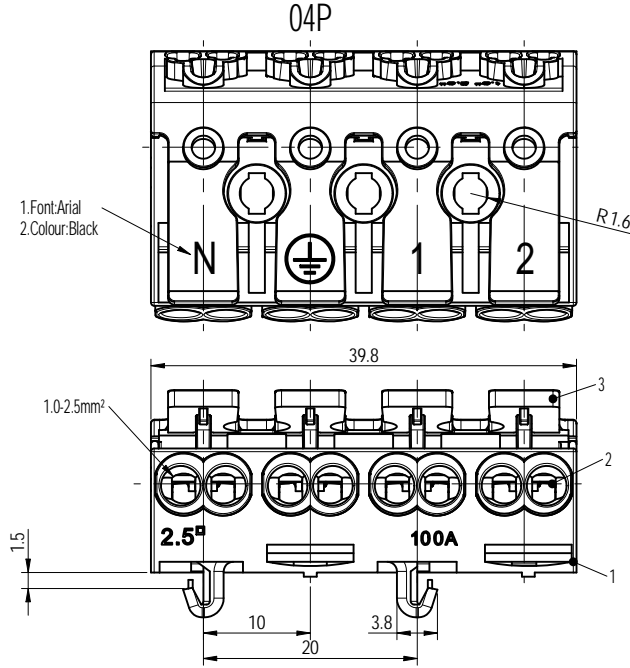
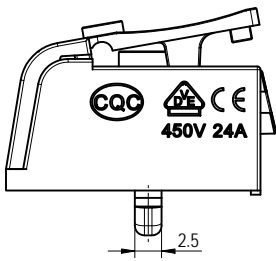
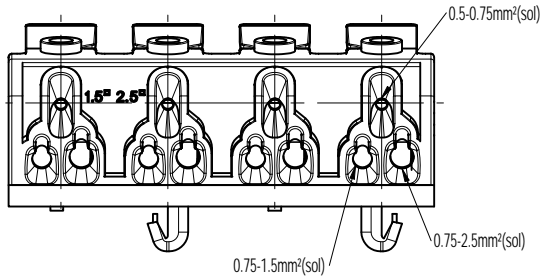
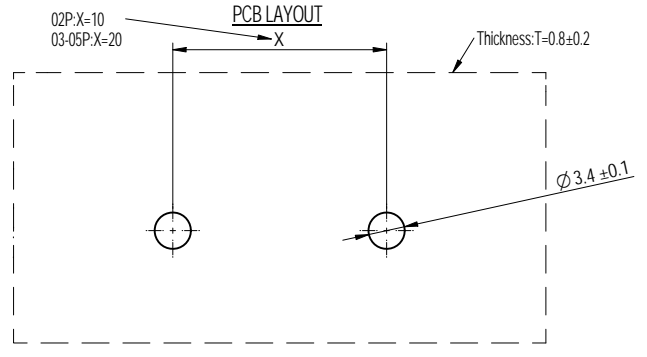


未注公差/General tolerances (mm)										$\frac{\Delta}{\phi}$				
0	>3	>6	>10	>18	>30	>50	>80	>120	>180	>250	>315	>400	>500	0.1/10
~	~	~	~	~	~	~	~	~	~	~	~	~	~	$\frac{\Delta}{\phi}$
±0.12	±0.18	±0.22	±0.26	±0.31	±0.37	±0.57	±0.80	±0.93	±1.05	±1.15	±1.60	±2.20	±2.50	±2
UL 标准/UL Standard:										B	C	D		
额定电压/电压/Rated Voltage(V)/Current(A)										600/20		/ 600/5		
IEC 标准/IEC Standard:														
过压类别/Overvoltage Category/污染等级/Pollution Degree										III/3	III/2	II/2		
额定电压/电压/Rated Voltage(V)/Current(A)										/ 450/24		/		
工频耐压/Withstand voltage(V/1Min)										AC2500				
间距/Pitch(mm)/线数范围/Poles										10.0/N=02~04P				
剥线长度/Stripping length(mm)										9~10				
使用温度范围/Operating temperature(°C)										-40~+105				
符合RoHS环保要求/Conform to RoHS										Yes				
3	Cover	PA66	UL94V-2											
2	Clamp	/	Ni plate											
1	Housing	PA66	UL94V-2											
ITEM	NAME OF PART	MATERIAL	NOTES											

Transfer or duplication of this document as well as the utilization of its contents for any purpose without the written permission of Degson Electronics Co., Ltd. is prohibited. All rights reserved for patent. 未经授权复制或传播本文件及其内容，或将其用于任何目的，均须经德松电子有限公司书面许可。否则，将依法追究法律责任。德松电子有限公司保留所有权利。未经许可，不得复制或传播本文件及其内容。



<b>DEGSON</b>		MATERIAL: -	SURFACE/COLOR:	
APPD: 竺泰华	2023.11.15	MAT NO./REV: - / 00	MAT STATUS: 批量	
CHKD: 陈超	2023.11.14	NAME: DG238-10.0-XXP-1Y-101Z(H)		
DRFT: 袁路勇	2023.11.13	DRAWING NO. 200041407	TYPE CUSTOMER DRAWING	DRAWING STATUS 已发布
REV	ECN	DESCRIPTION	DRFT	DATE
00			袁路勇	2023.11.13
		A3		1/1

00			袁路勇	2023.11.13
REV	ECN	DESCRIPTION	DRFT	DATE
00			袁路勇	2023.11.13
		A3		1/1