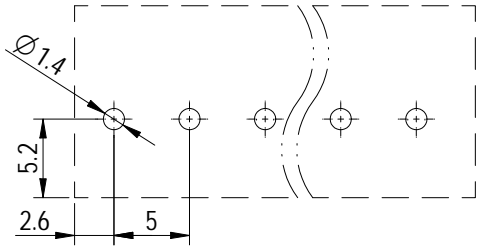
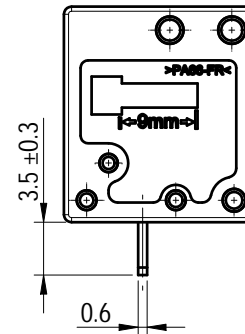
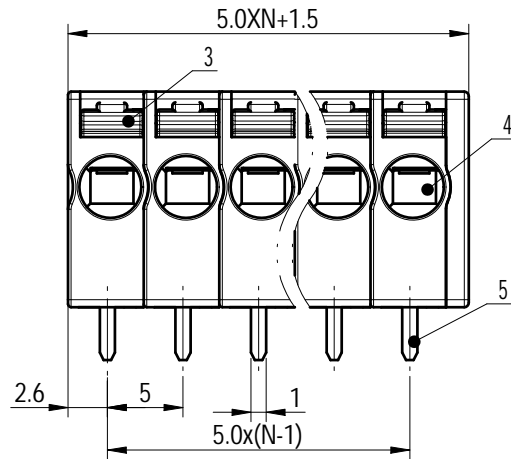
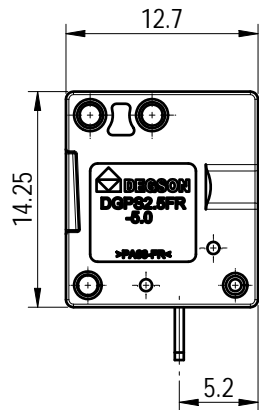
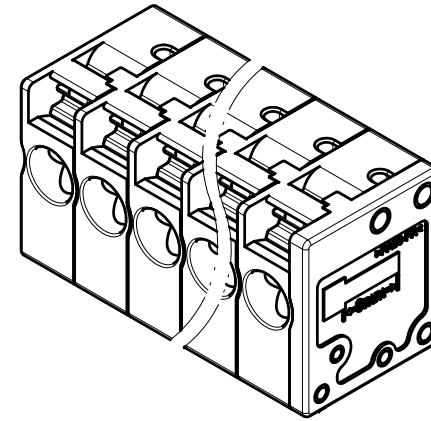
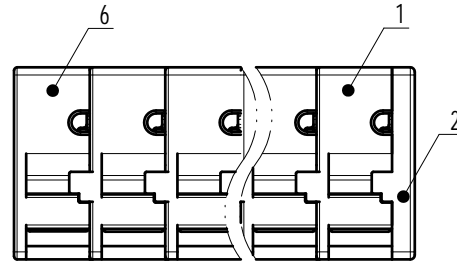


PCB LAYOUT



未注公差/General tolerances (mm)													0.1/10
0	>3	>6	>10	>18	>30	>50	>80	>120	>180	>250	>315	>400	
±0.12	±0.18	±0.22	±0.26	±0.31	±0.37	±0.57	±0.80	±0.93	±1.05	±1.15	±1.60	±2.20	±2.50



ITEM	NAME OF PART	MATERIAL	NOTES
6	Housing 2	PA66	UL94V-0
5	Pin header	Copper	Sn Plated
4	Spring	Stainless Steel	/
3	Button	PPS	UL94V-0
2	Cover	PA66	UL94V-0
1	Housing 1	PA66	UL94V-0

UL 标准/UL Standard:	B	C	D
额定电压/电流/Rated Voltage(V)/Current(A)	300/15	/	300/10
IEC 标准/IEC Standard:			
过压类别/Overvoltage Category/污染等级/Pollution Degree	III/3	III/2	II/2
额定电压/电流/Rated Voltage(V)/Current(A)	320/20	400/20	630/20
额定脉冲电压(KV)/Rate Impulse Voltage(KV)	4	4	4
线径范围(硬线和软线)/Wire Range(rigid and flexible)(AWG/mm²)	18~14 / 0.75~2.5		
间距/Pitch(mm)/线数范围/Poles	5.0/N=02~12P		
剥线长度/Stripping length(mm)	9~10		
使用温度范围/Operating temperature(°C)	-40~+105		
符合RoHS环保要求/Conform to RoHS	Yes		

		MATERIAL:	SURFACE/COLOR:		
		MAT NO./REV:	MAT STATUS: 小批量		
APPD: 蓝贵凡	2025.12.22	NAME			
CHKD: 陈招	2025.12.22	DGPS2.5FR-5.0-XXP-1Y-00Z(H)			
DRFT: 陈招	2025.12.22	DRAWING NO.	TYPE	DRAWING STATUS	SCALE
		200197820	CUSTOMER DRAWING	work	2:1
					SHEET 1/1

REV	ECN	DESCRIPTION	DRFT	DATE
01		修改线径范围	陈招	2025.12.22

Transfer or duplication of this document as well as the utilization or communication of its contents are prohibited unless authorized in writing by DEGSON. All rights reserved for patent. 除专利号明确标注外，其他标注均非专利。复制、印刷、光磁等文件的传播、使用、分发等未经授权，均视为侵权行为。保留所有权利及发明权。 未经授权不得复制或传播任何文件。