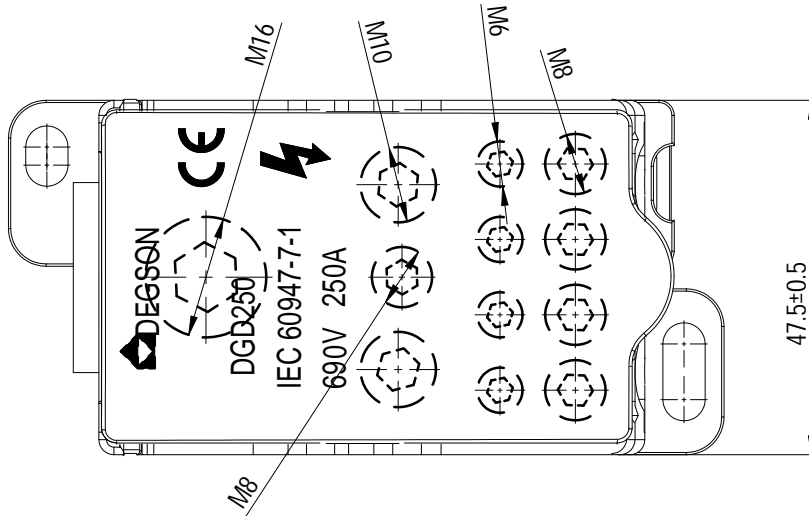
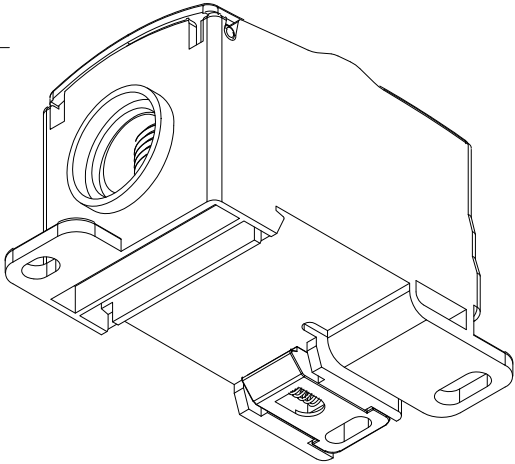
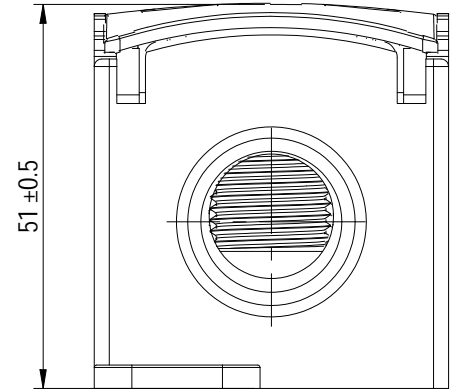
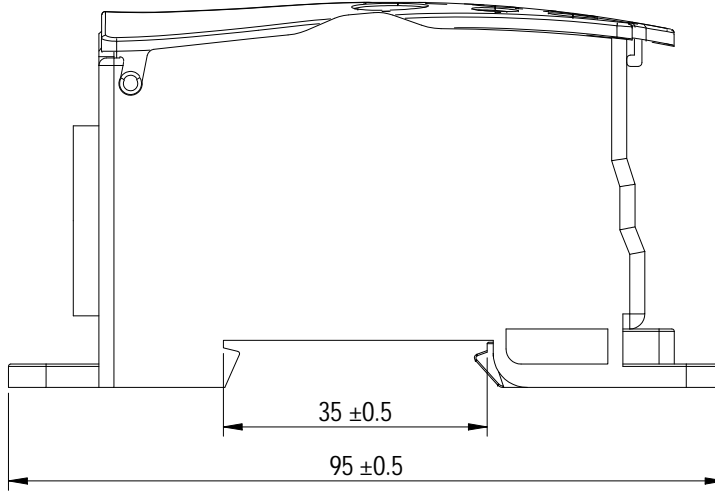
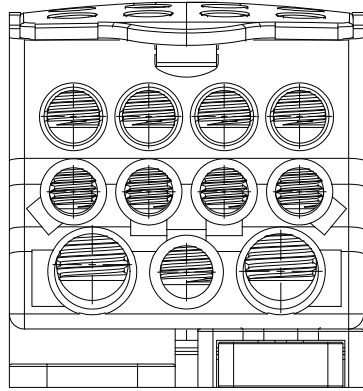


未注公差/General tolerances(mm)

0 ~ 3	>3 ~ 6	>6 ~ 10	>10 ~ 18	>18 ~ 30	>30 ~ 50	>50 ~ 80	>80 ~ 120	>120 ~ 180	>180 ~ 250	>250 ~ 315	>315 ~ 400	>400 ~ 500	>500	0.1/10 ±2'
±0.12	±0.18	±0.22	±0.26	±0.31	±0.37	±0.57	±0.80	±0.93	±1.05	±1.15	±1.60	±2.20	±2.50	



- 技术要求:
- 产品材质: 塑壳/卡脚: 尼龙(PA)
塑盖: 聚碳酸酯(PC)
导电件: H54黄铜(镀镍)
螺丝: A3钢材(镀镍)
弹簧: 碳素钢
 - 额定电压/电流: 690V/250A
 - 耐电压: AC 1分钟3000V无击穿
 - 阻燃性能: 底座 灼热丝960°C, 阻燃(V-0)
塑盖: 灼热丝850°C, 阻燃(V-0)
 - 扭力(N.m): ≤3.0(M6), ≤6.0(M8), ≤10(M10), ≤14(M16)
 - 拉力(N): 2.5mm² ≥50, 4mm² ≥60, 6mm² ≥80, 10mm² ≥90, 16mm² ≥100, 25mm² ≥135, 35mm² ≥190, 50mm² ≥236, 70mm² ≥285, 95mm² ≥351
 - 工作环境温度(°C): -40~+85°C
 - 导线截面(mm²): 进线: (35-120)
出线: (6-35)/(2.5-16)/(2.5-10)

		MATERIAL:	SURFACE/COLOR:	
		MAT NO./REV: 30110000051-1 / 01		MAT STATUS: 批量
APPD: 彭敏	2024.06.05	NAME		
CHKD: 高卫国	2024.06.05	DGD250-01P-11-00A&Z(H)		
DRFT: 黄仁锦	2024.06.05	DRAWING NO.	TYPE	DRAWING STATUS
		200253588	CUSTOMER DRAWING	已发布
		SCALE	SHEET	
		2:1	1/1	

00		New Product	黄仁锦	2024.06.05
REV	ECN	DESCRIPTION	DRFT	DATE

Transfer or duplication of this document as well as the utilization or communication of its contents are prohibited unless explicit authorization is granted. Violations will be liable for compensation. All rights reserved for patent, utility model or design registrations. 除非得到明确授权, 否则, 复制或传播本文件的内容, 或把本文件的内容用于任何用途, 均是不允许的, 侵权者将承担法律责任。