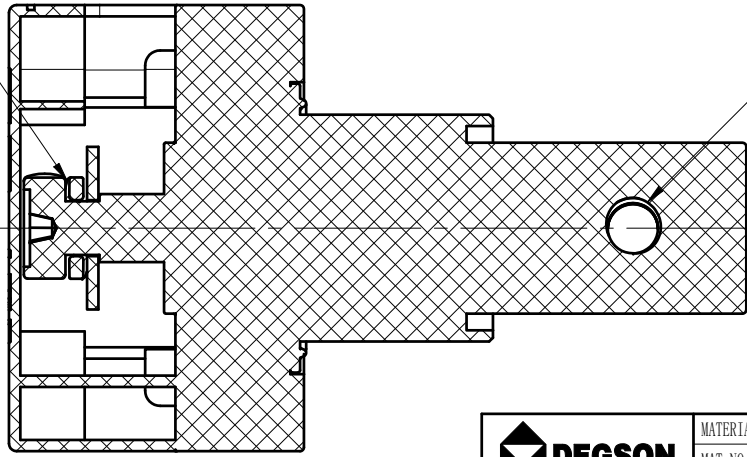
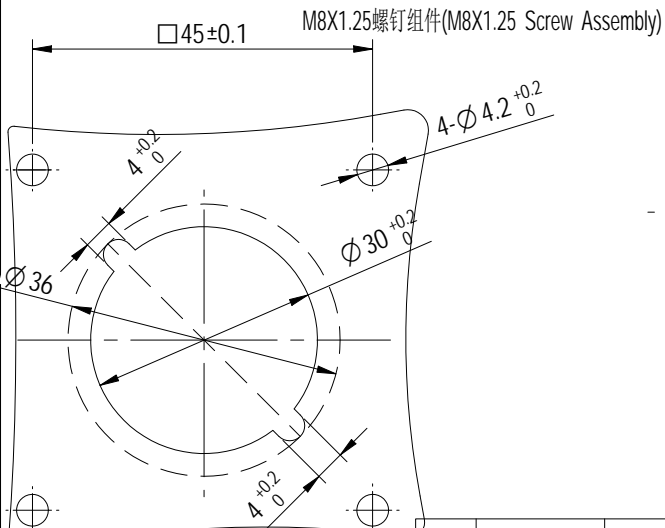
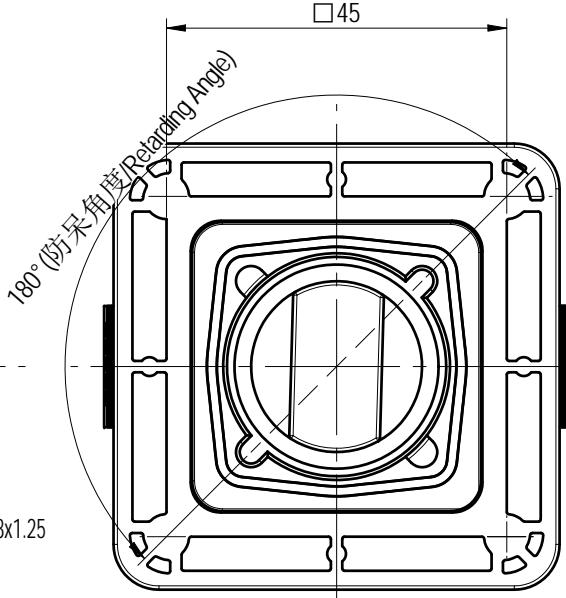
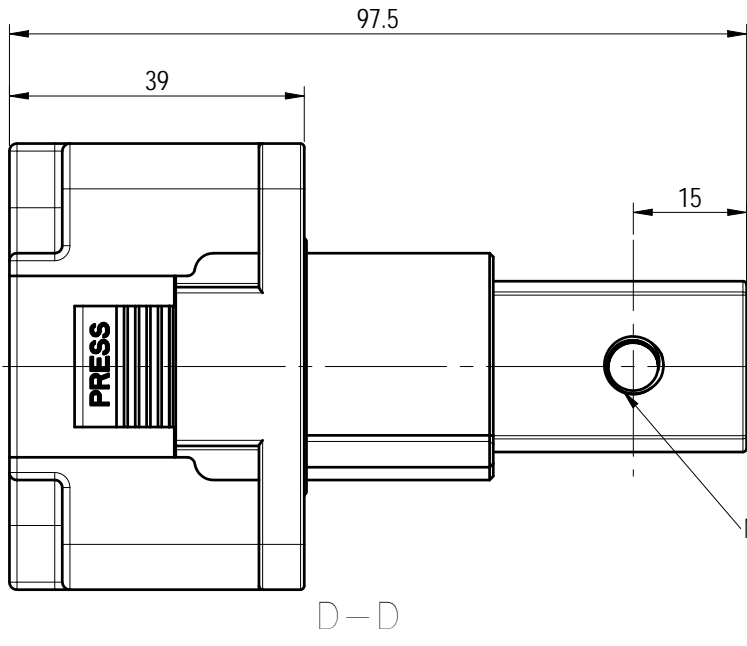
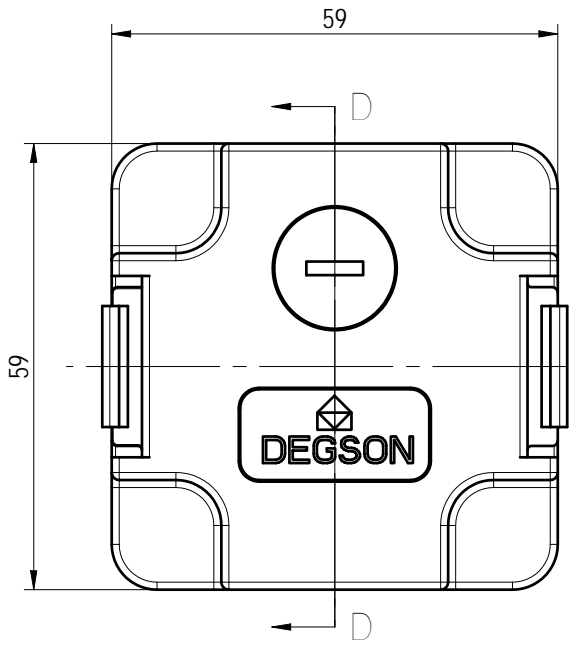


尺寸公差(mm)					0.05/10 ±1'
0	>30	>60	>100	>150	
~	~	~	~	~	
±0.30	±0.40	±0.55	±0.80	±1.10	



额定电压/电流/Rated Voltage/Current	1500V/600A
绝缘电阻/Insulation Resistance	≥3000MΩ
接线方式/Terminal	Copper Screw
锁板扭矩/Lock Plate Torque(N.m)	0.4~0.7
铜排锁合扭矩/Copper Bar Locking Torque (N.m)	6
防护等级/Levels Of Protection	IP67(锁板后)
使用温度范围/Operating Temperature	-40~+125 °C
符合RoHS要求/Conform To RoHS	Yes

		MATERIAL: 材质	SURFACE/COLOR: 表面处理			
APPD:		MAT NO./REV: 物料编码 / 版本	MAT STATUS: 物料状态			
CHKD:		NAME EGD-600A-B250-B/S-BK-01				
DRFT: ShangY	2024.04.08	DRAWING NO.	TYPE	DRAWING STATUS	SCALE	SHEET
A4		图号	图纸类型	图纸状态	1:1	1/1

Transfer or duplication of this document as well as the utilization or communication of its content are prohibited unless authorized in writing by DEGSON. All rights reserved for patent. 未经授权，禁止复制或传播本文件内容。保留所有权利。DEGSON 保留专利。除特别注明外，本文件的所有权利均归 DEGSON 所有。