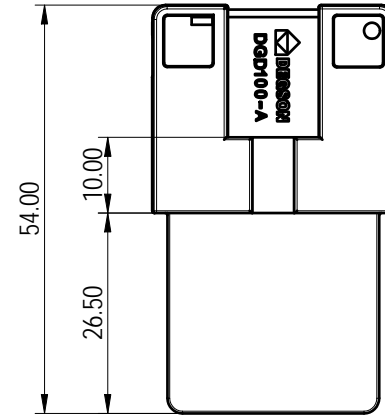
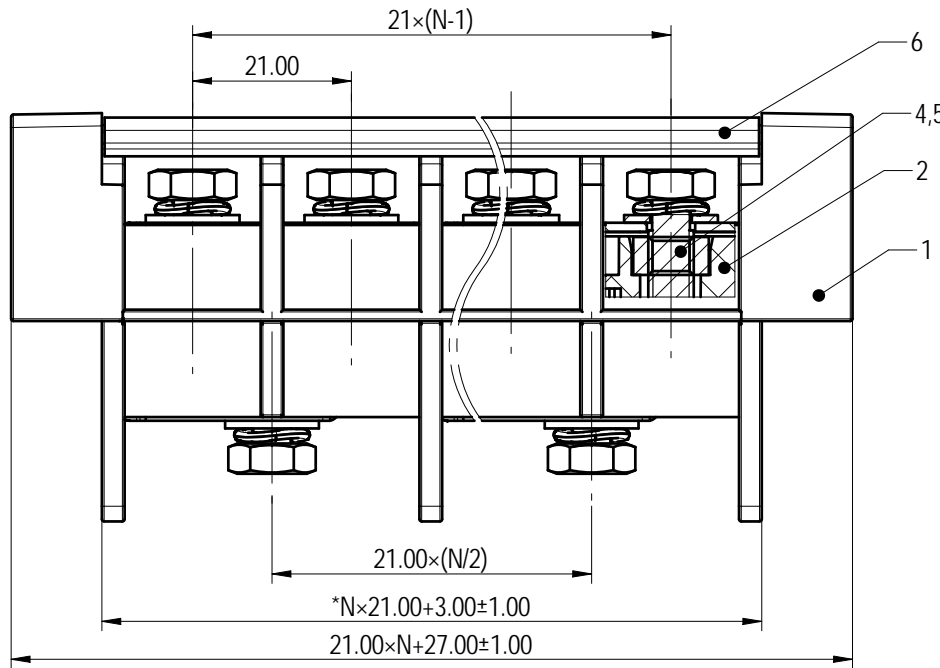
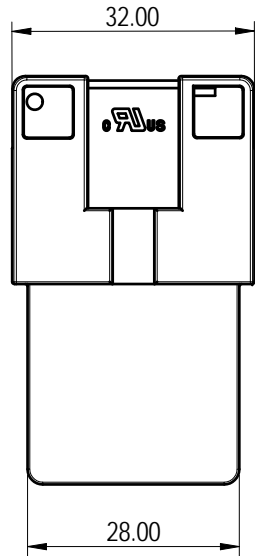
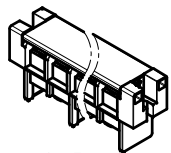


未注公差/General tolerances (mm)												0.1/10	
0	>3	>6	>10	>18	>30	>50	>80	>120	>180	>250	>315		>400
~3	~6	~10	~18	~30	~50	~80	~120	~180	~250	~315	~400	~500	~500
±0.12	±0.18	±0.22	±0.26	±0.31	±0.37	±0.57	±0.80	±0.93	±1.05	±1.15	±1.60	±2.20	±2.50

UL 标准/UL Standard:	B	C	D
额定电压/电涌/Rated Voltage(V)/Current(A)	600/120	600/120	600/5
螺丝扭矩/Torque Tightening(N·m/Lb.in)	M6, 5.0/44.27		
线径范围(硬线和软线)/Wire Range(rigid and flexible)(AWG)	10~2		
线数范围/Poles	N=02P/4P		
剥线长度/Stripping length(mm)	12~13		
使用温度范围/Operating temperature(°C)	-40~+105		
符合RoHS环保要求/Conform to RoHS	Yes		



ITEM	NAME OF PART	MATERIAL	NOTES
6	Cover	PC	UL94V-2
5	Nut	Steel	Ni Plated
4	Screw	Steel	Ni Plated
3	Current_carrier	Copper alloy	Ni Plated
2	Fixator	PA66+GF	UL94V-0
1	Housing	PA66+GF	UL94V-0



1: 5

DEGSON		MATERIAL:	SURFACE/COLOR:		
APPD: 蓝贵凡	2023.08.08	MAT NO./REV:	/ 00		
CHKD: 曹利彬	2023.08.08	NAME			
DRFT: 孙科豪	2023.08.08	DG100D-A-XXP-1Y-00Z (H)			
REV	ECN	DESCRIPTION	DRFT	DATE	DRAWING NO.
00					200196245
					TYPE
					CUSTOMER DRAWING
					DRAWING STATUS
					已发布
					SCALE
					2:1
					SHEET
					1/1

REV	ECN	DESCRIPTION	DRFT	DATE
00				

Transfer or duplication of this document as well as the utilization or communication of its content are prohibited unless explicitly permitted. Violations will be treated as patent infringement. All rights reserved for patent. 未经授权复制或传播本文件内容，或在本文件内容基础上进行任何修改、复制或传播，均属于侵权行为。本公司保留对本文件内容的所有权利。