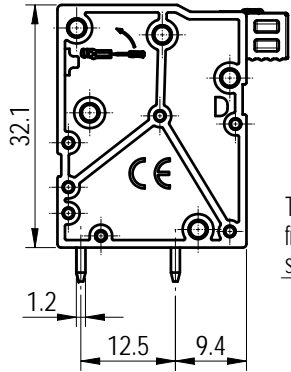
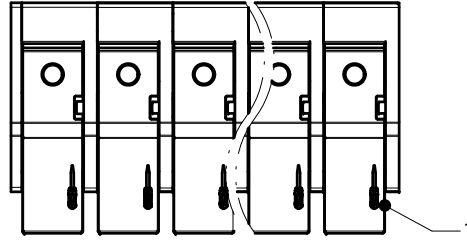
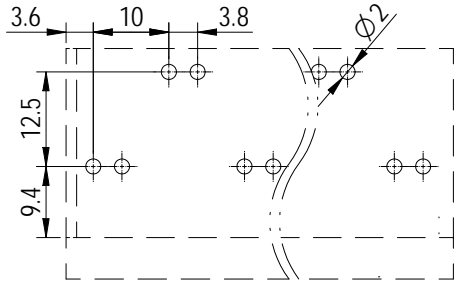
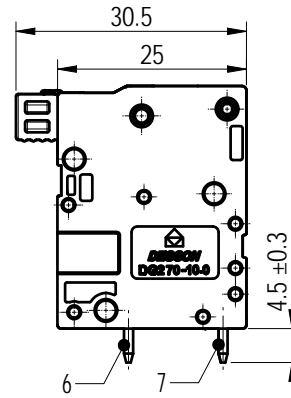
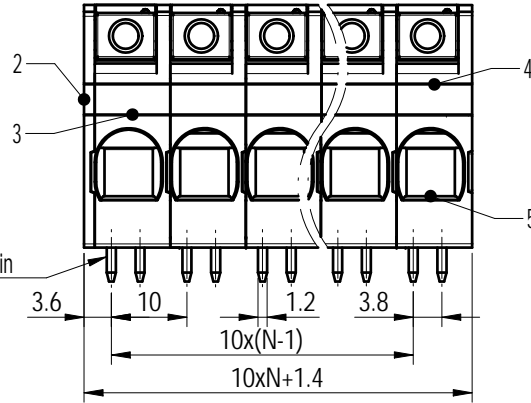


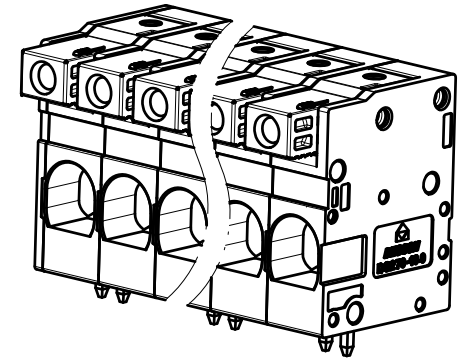
PCB LAYOUT



The first pin from the left side is front pin



未注公差/General tolerances (mm)														
0	>3	>6	>10	>18	>30	>50	>80	>120	>180	>250	>315	>400	0.1/10 ±2'	
~3	~6	~10	~18	~30	~50	~80	~120	~180	~250	~315	~400	~500		
±0.12	±0.18	±0.22	±0.26	±0.31	±0.37	±0.57	±0.80	±0.93	±1.05	±1.15	±1.60	±2.20	±2.50	
UL 标准/UL Standard:										B	C	D		
额定电压/电流/Rated Voltage(V)/Current(A)										600/51	600/51	/		
IEC 标准/IEC Standard:														
过压类别/Overvoltage Category/污染等级/Pollution Degree										III/3	III/2	II/2		
额定电压/电流/Rated Voltage(V)/Current(A)										1000/76	1000/76	1000/76		
额定脉冲电压 (KV) /Rate Impulse Voltage (KV)										8	8	8		
线径范围(硬线和软线)/Wire Range(rigid and flexible)(AWG/mm ²)										18~6 / 0.75~16				
间距/Pitch(mm)/线数范围/Poles										10.0/N=02~12P				
剥线长度/Stripping length(mm)										18				
使用温度范围/Operating temperature(°C)										-40~+105				
符合RoHS环保要求/Conform to RoHS										Yes				



Note:
The A&Z(H) in the name means: A(H) and Z(H).

7	Back Pin header	Copper	Sn plated
6	Front Pin header	Copper	Sn plated
5	Spring	Stainless steel	/
4	Side housing	PA66	UL94V-0
3	Mid housing	PA66	UL94V-0
2	Cover	PA66	UL94V-0
1	Button	PA66	UL94V-0
ITEM	NAME OF PART	MATERIAL	NOTES

		MATERIAL: /		SURFACE/COLOR: /	
APPD: 兰春华 2023.02.17		MAT NO./REV: - / 00		MAT STATUS: 批量	
CHKD: 陈招 2023.02.17		NAME			
DRFT: 柳学龙 2023.02.17		DG270-10.0-DB-XXP-1Y-00A&Z(H)			
DRAWING NO. 200025661		TYPE CUSTOMER DRAWING		DRAWING STATUS 已发布	
SCALE 1:1		SHEET 1/1			

00			柳学龙	2023.02.17
REV	ECN	DESCRIPTION	DRFT	DATE

Transfer or duplication of this document as well as the utilization or communication of its contents are prohibited unless authorized in advance. Violations will be punished. Weights and dimensions are reserved for patent. Utility model or design registrations. 除专利权明确标注外, 其他标注均属于本公司保留的专利。未经事先许可, 擅自复制或传播, 公司将依法追究。本公司保留对涉及发明、实用新型和外观设计的所有权利。